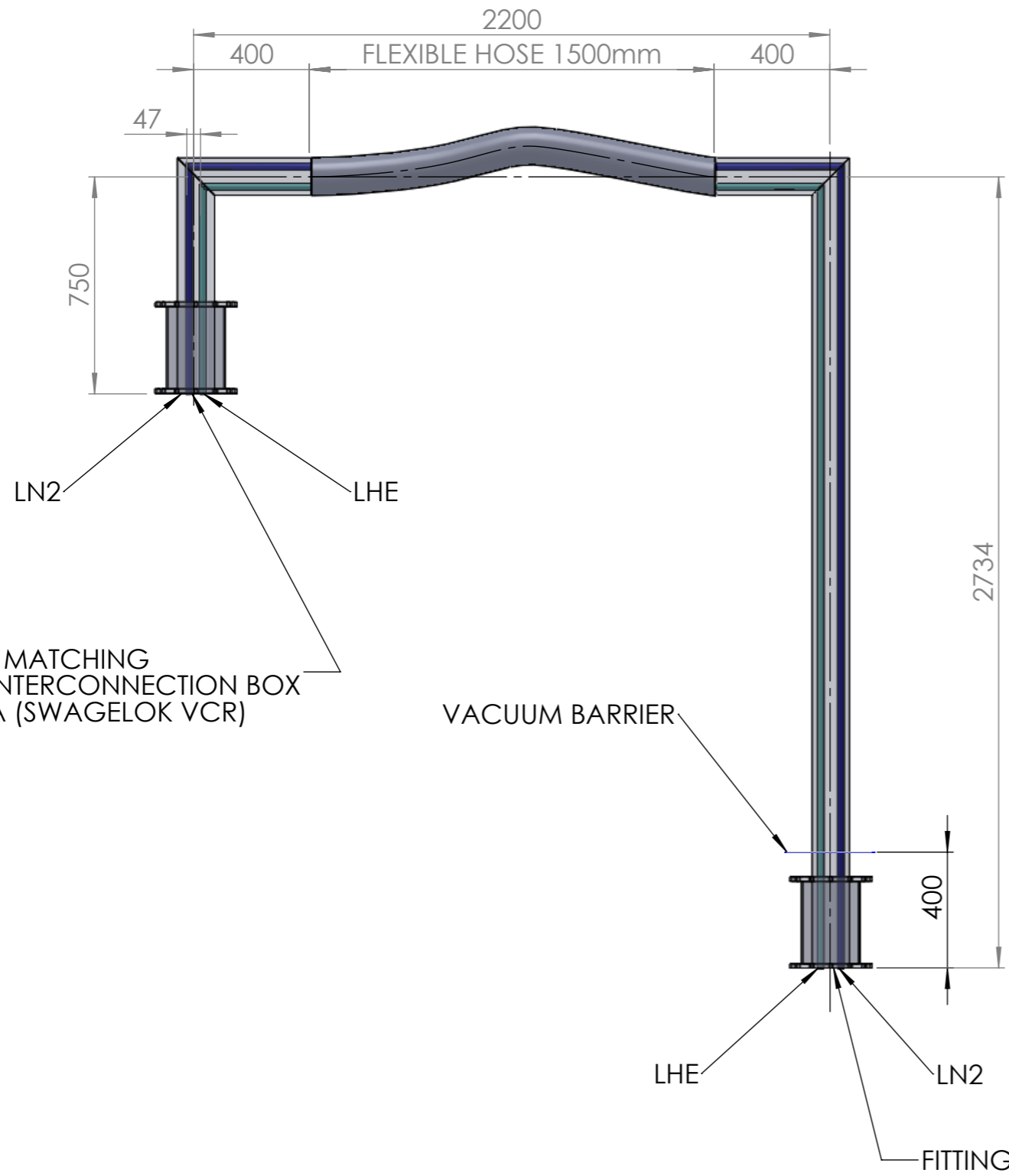


This document must not be copied without our written permission, and the contents thereof must not be imparted to a third part nor be used for any unauthorized purpose. Contravention will be prosecuted.

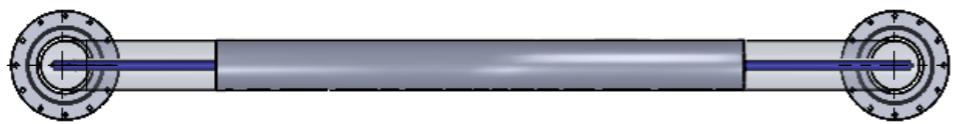
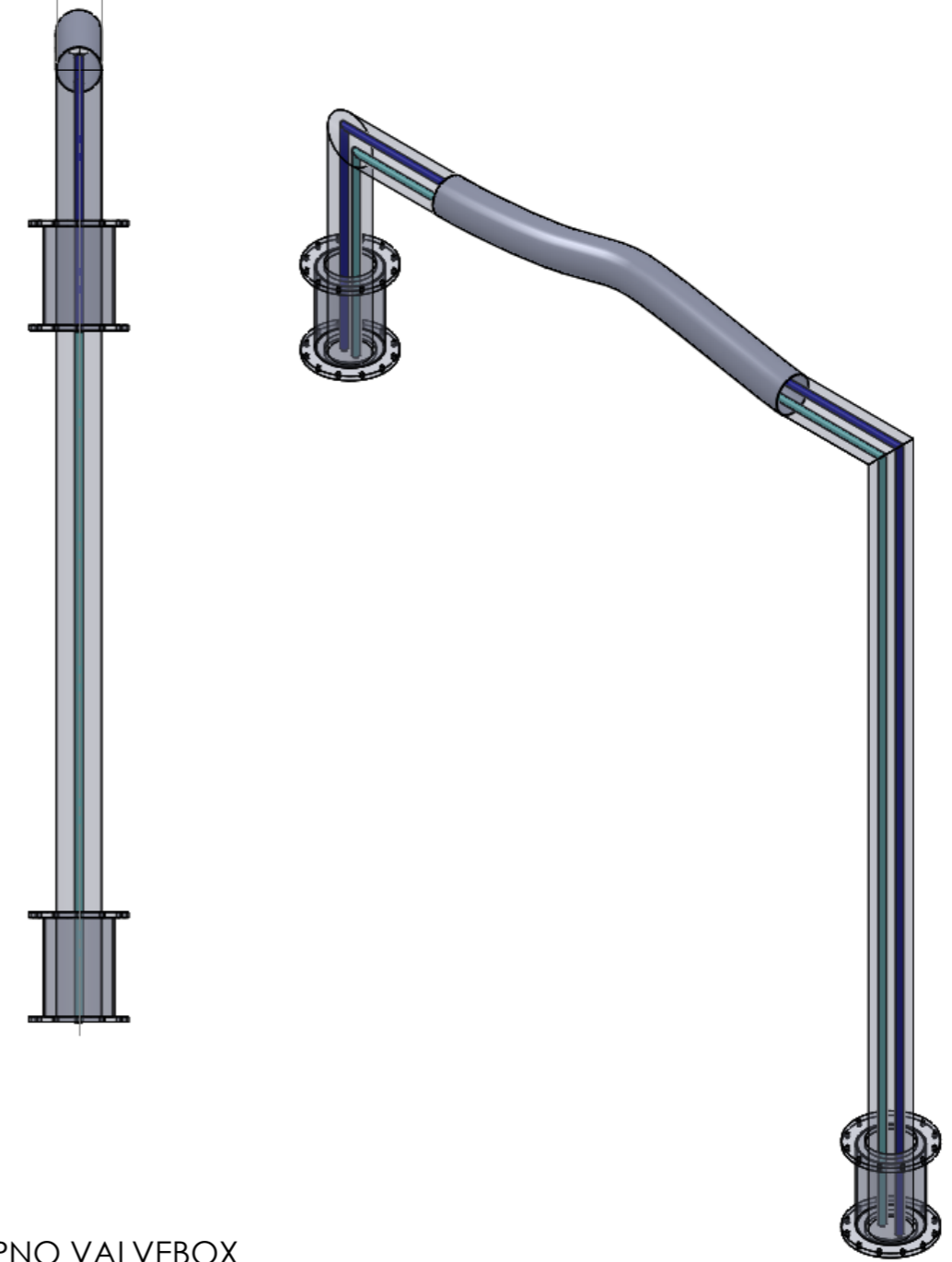




ICB
FITTINGS MATCHING
HNOSS INTERCONNECTION BOX
UPPSALA (SWAGELOK VCR)

VACUUM BARRIER

FITTINGS MATCHING IPNO VALVEBOX

Ø 129



DRAWN BY	CHECKED	APPROVED	OWNER	PROJ. TYPE	DEBUR AND BREAK SHARP EDGES	DO NOT SCALE DRAWING
NJ	-	-	-			
				TOLERANCES	PROJECT	
				ISO-2768-m	FREIA	
				ROUGHNESS	TITLE	
				Ra 3.2	CRYO MODULE TRANSFER LINE	
				SCALE	DRAWING NO.	REVISION
				1:20	0045-1115	B
					RELEASE DATE	SHEET
					2015-05-26	1 of 1
					SIZE	A3