



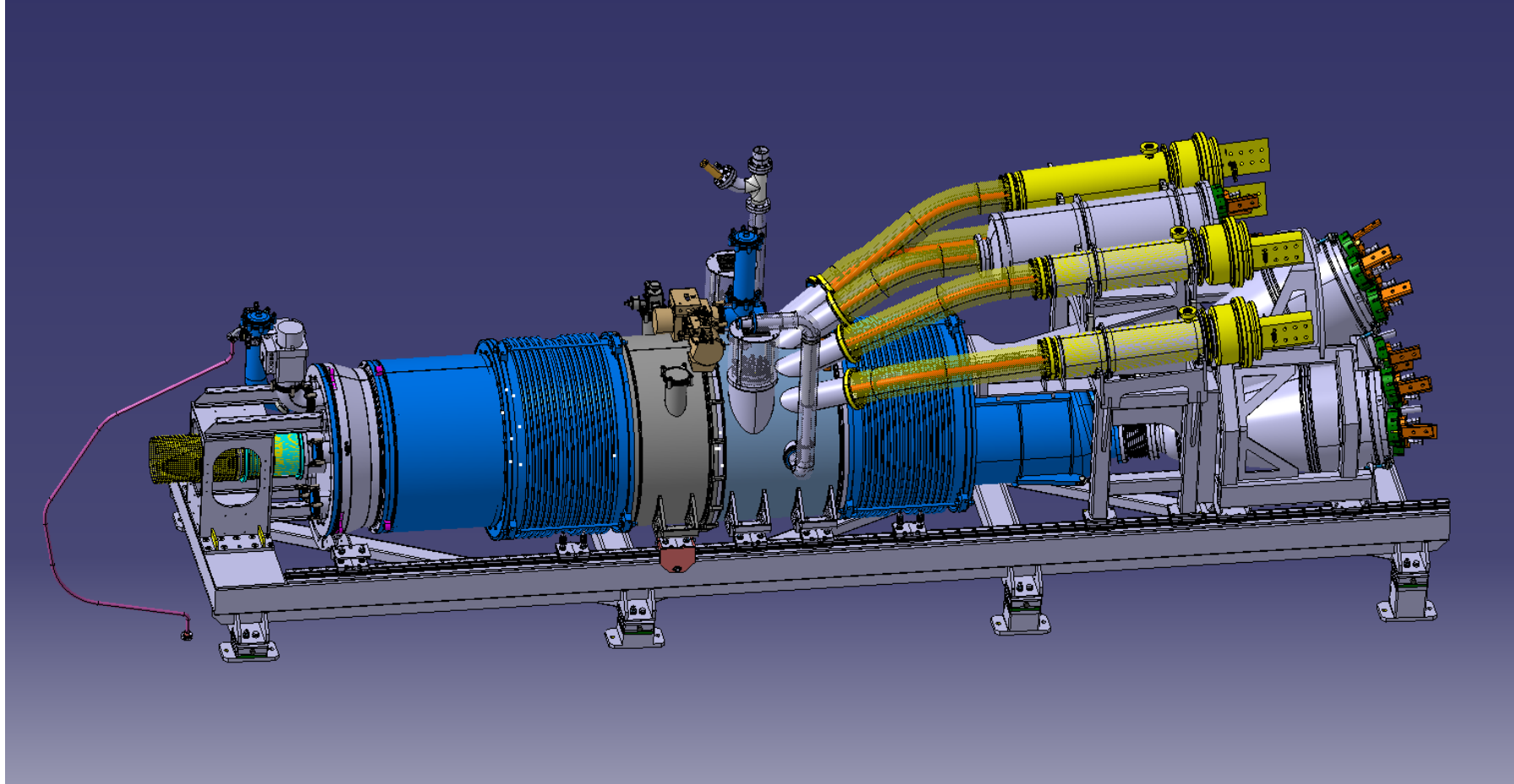
DFHX

Summary assembly sequence at CERN

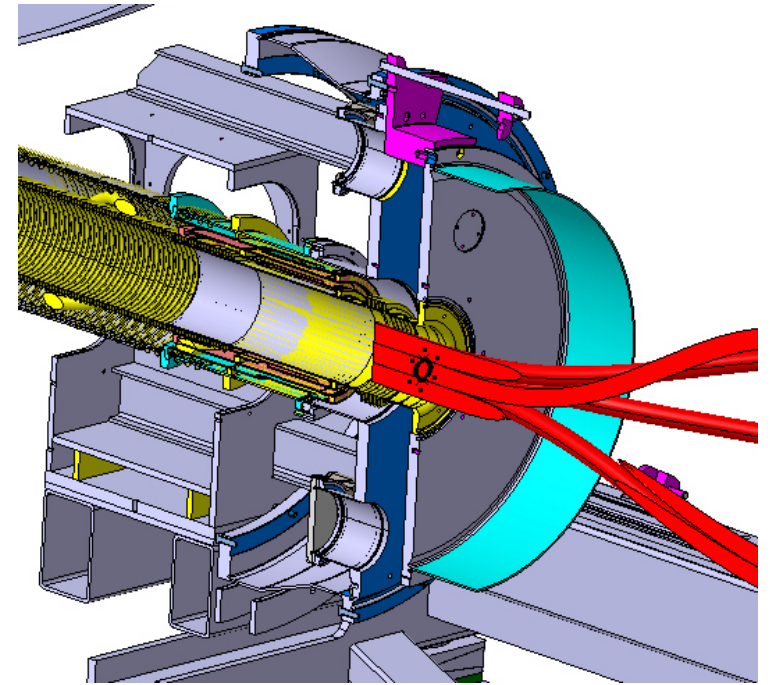
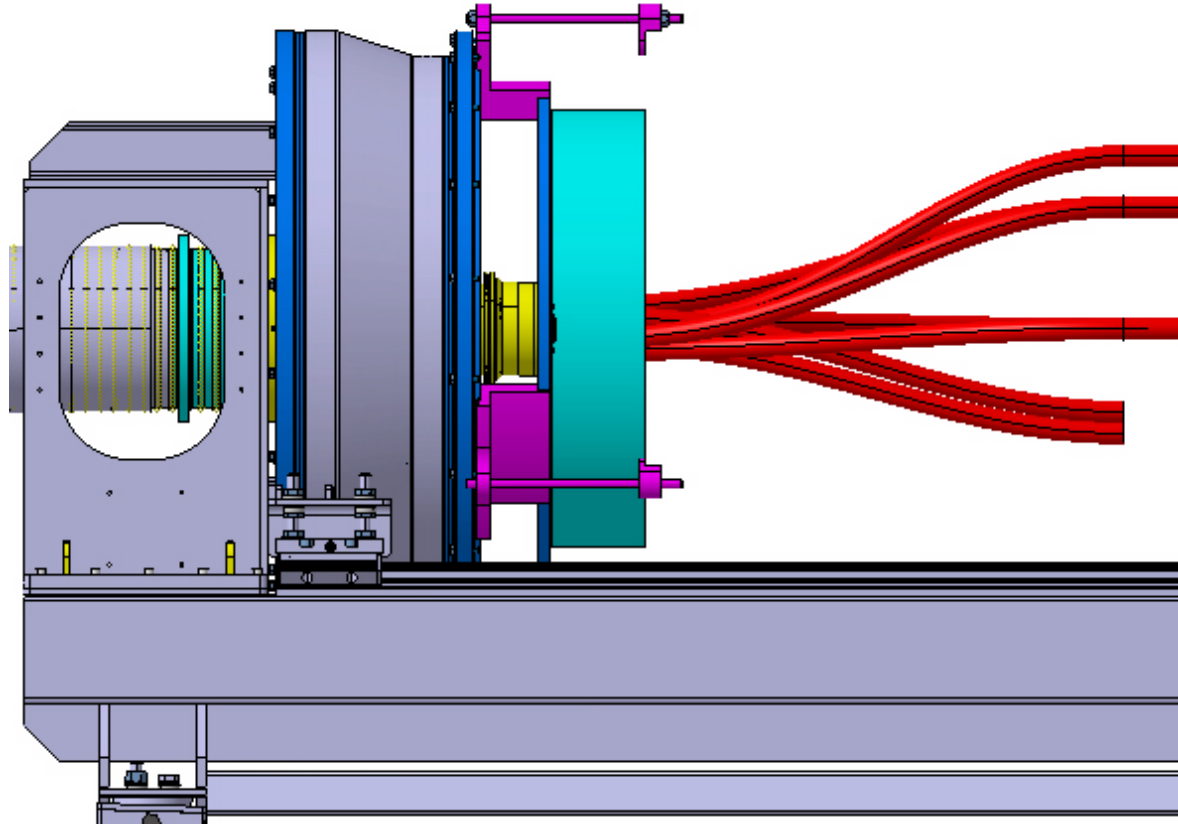
R. Betemps / P. Schneider / F. Pillon / D. Ochoa

2020.05.13

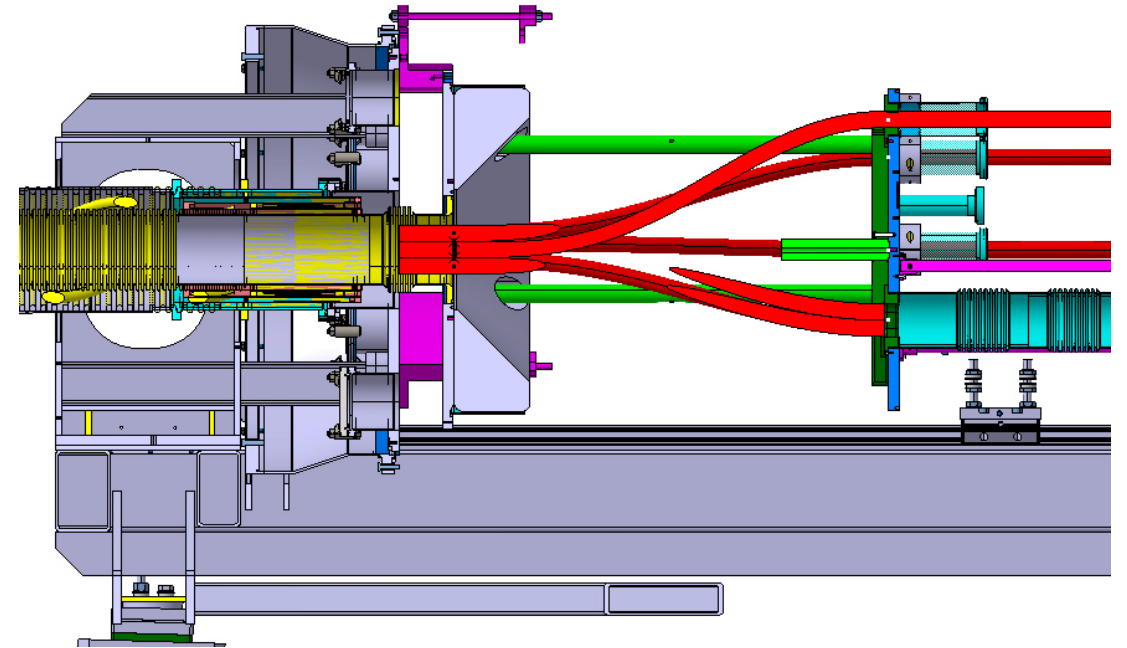
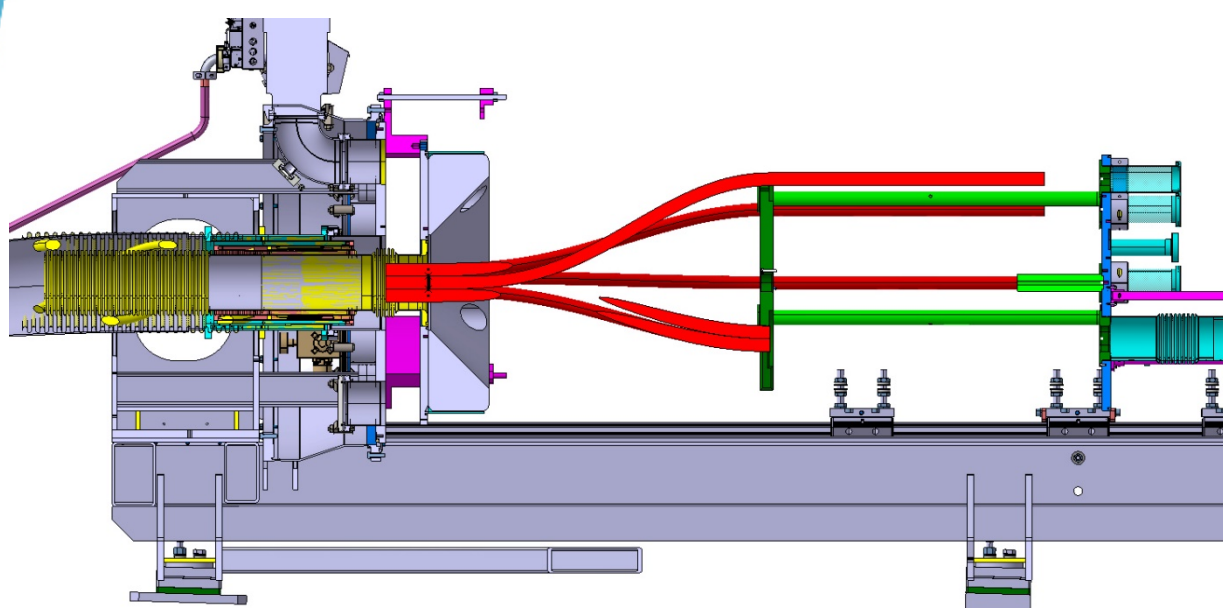
Final DFHX Unit



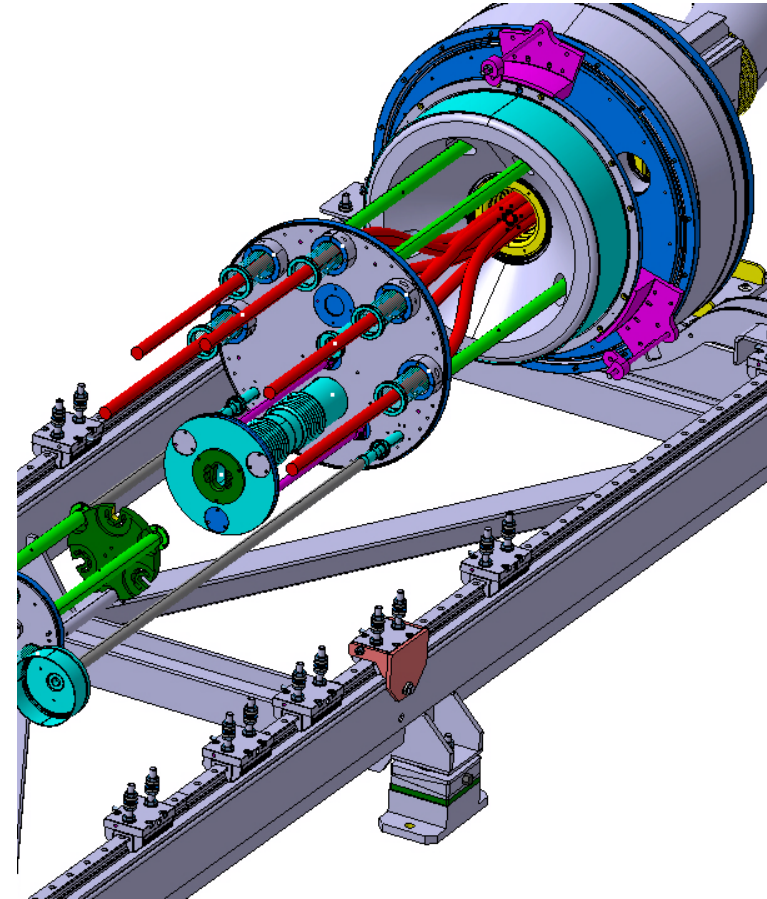
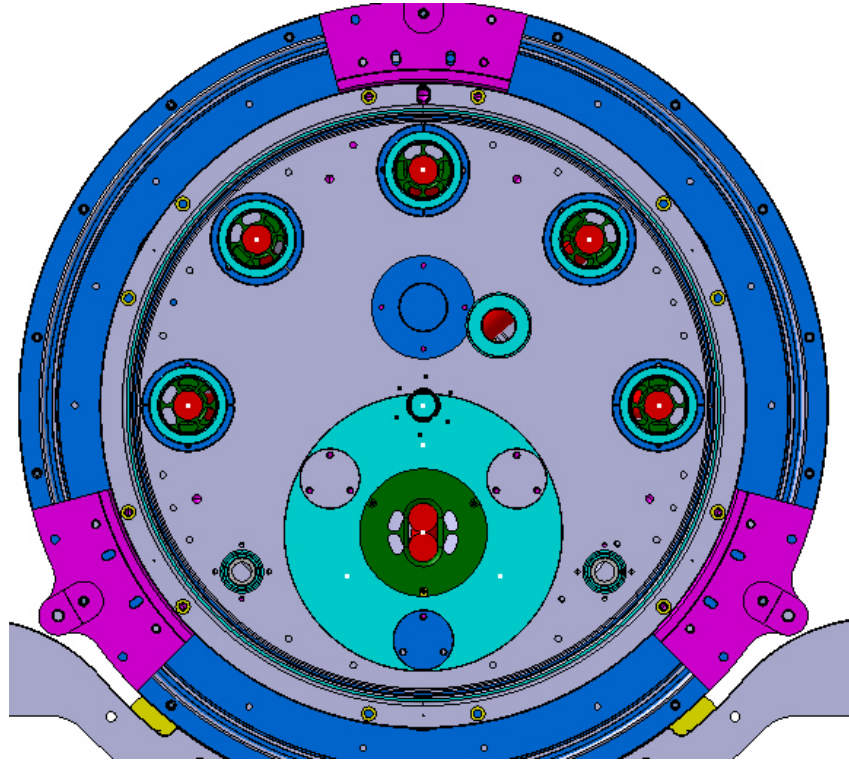
Assembling the link, and the cable



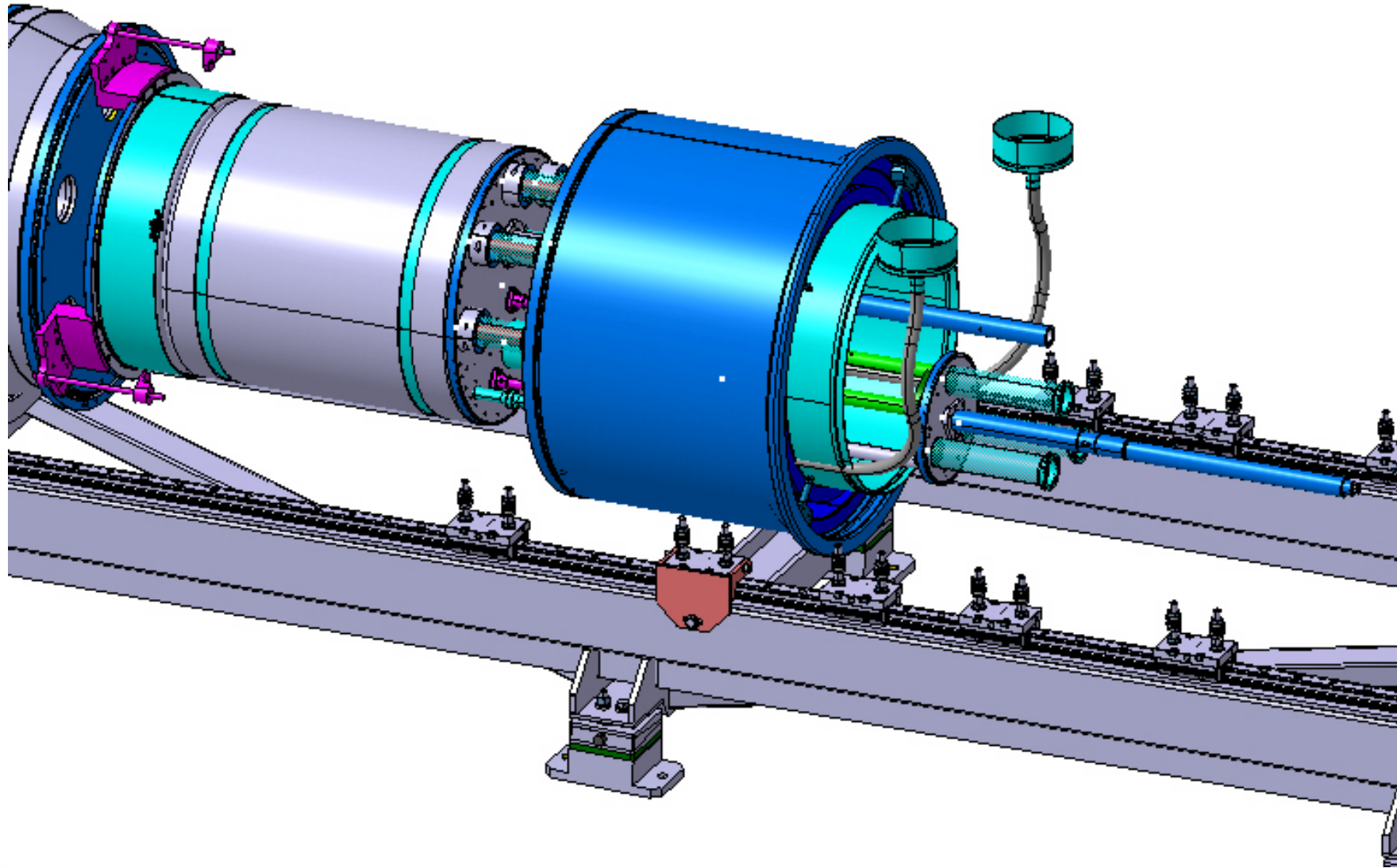
Assembling of the shuffling module 1



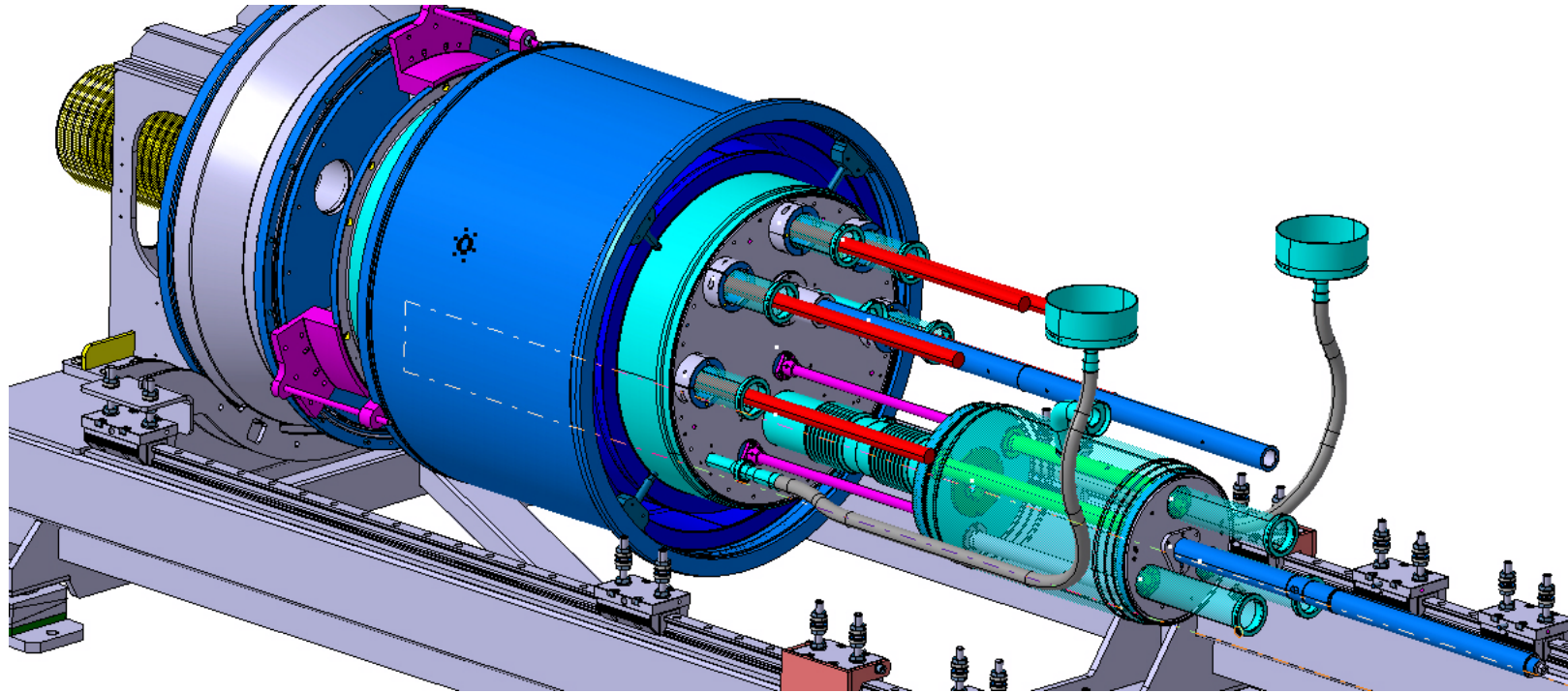
Add cryo-line and safety-line and IFS



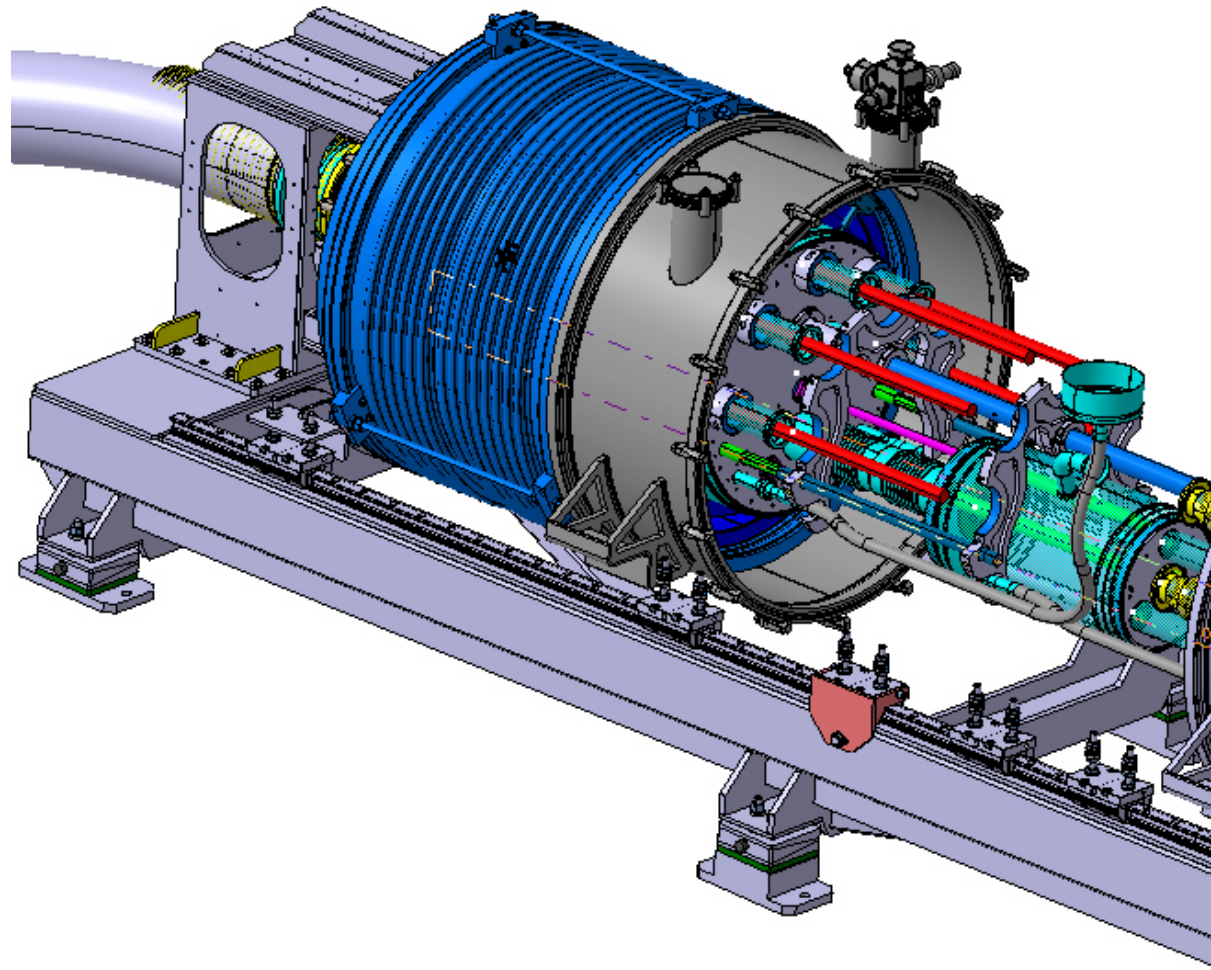
Add vacuum “barriere” chamber



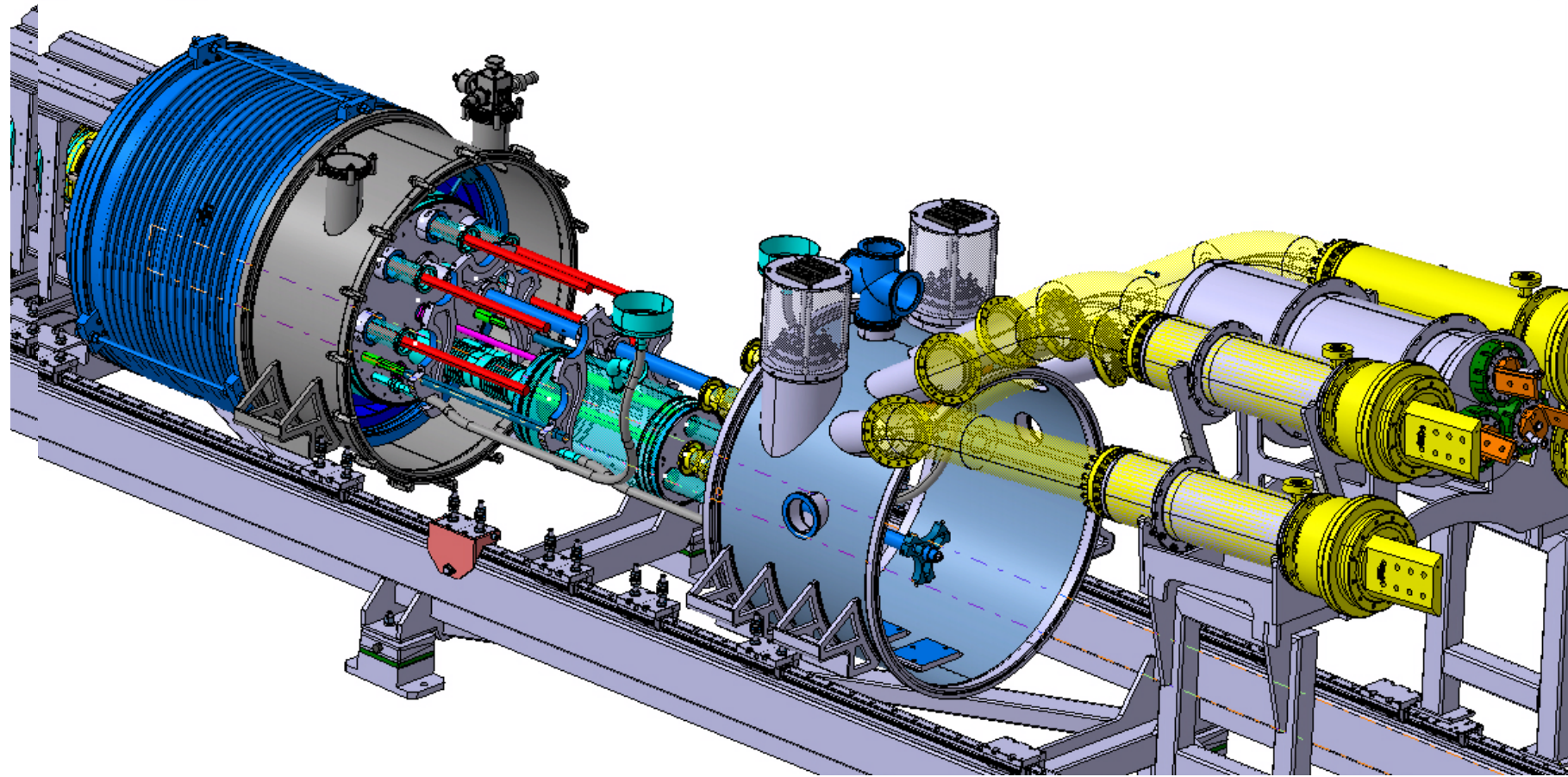
Assembling of the shuffling module 2



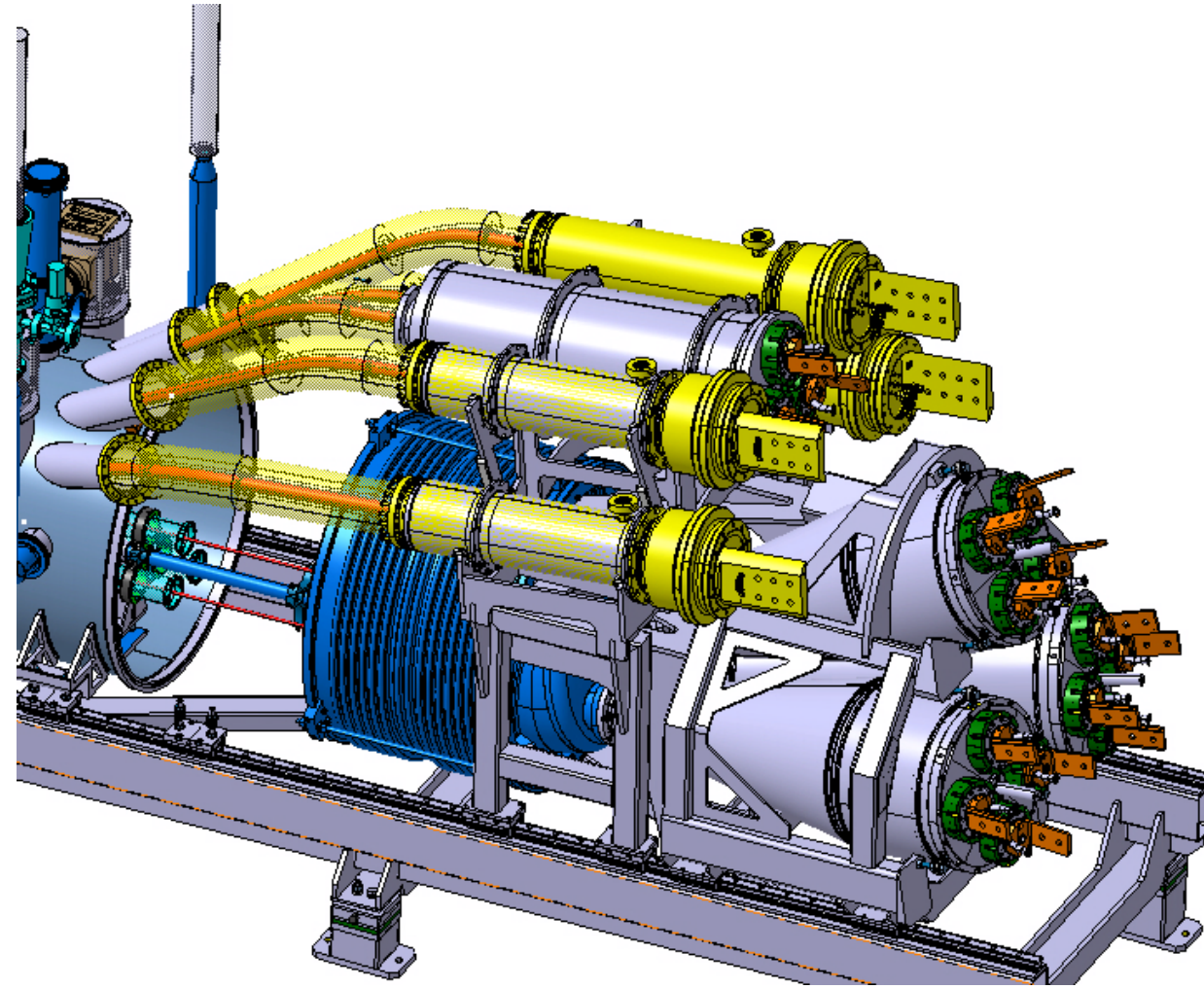
Add bellow and intermediary chamber



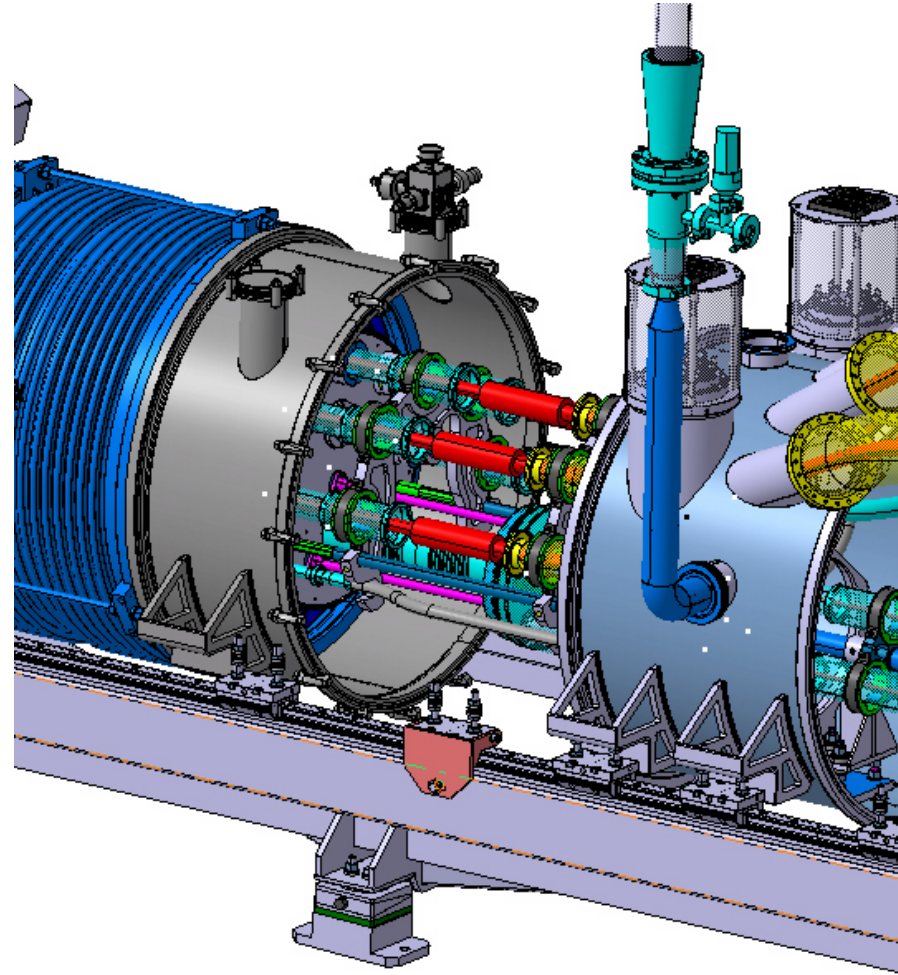
And the “currents leads” chamber



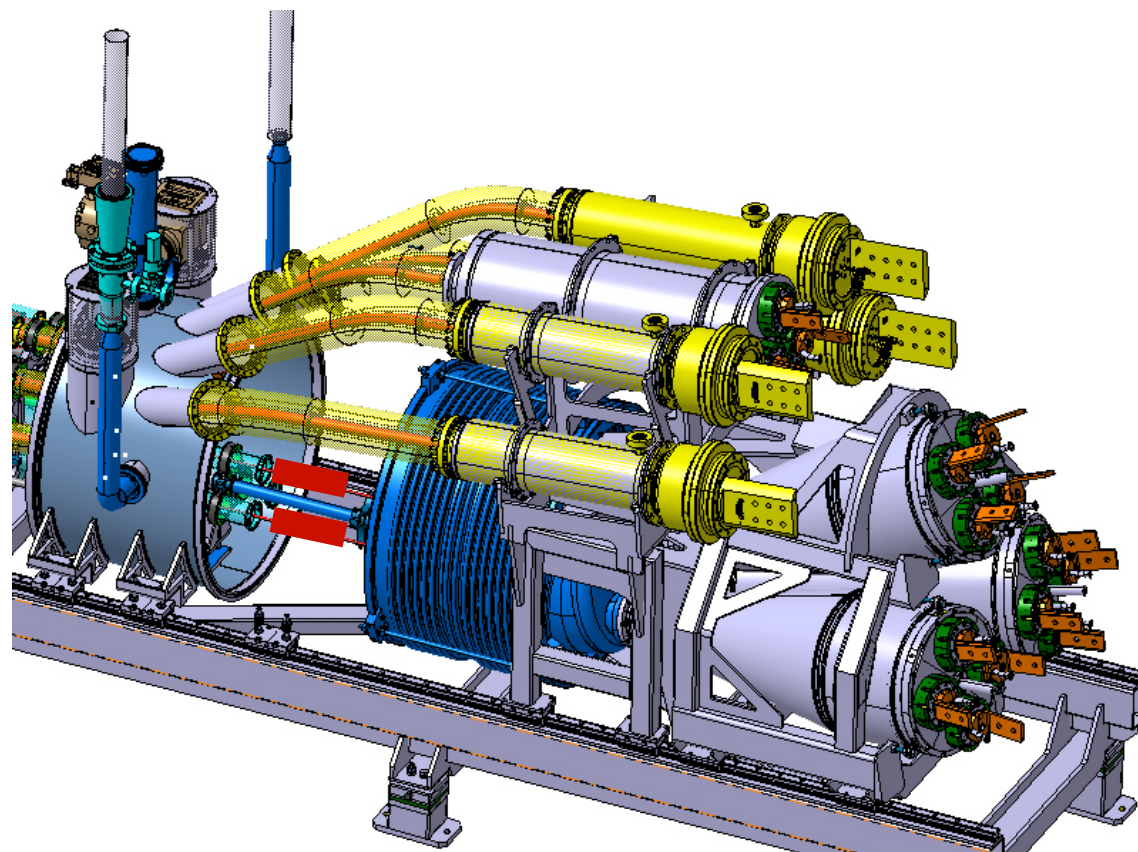
Put in place the 2kA Current lead module



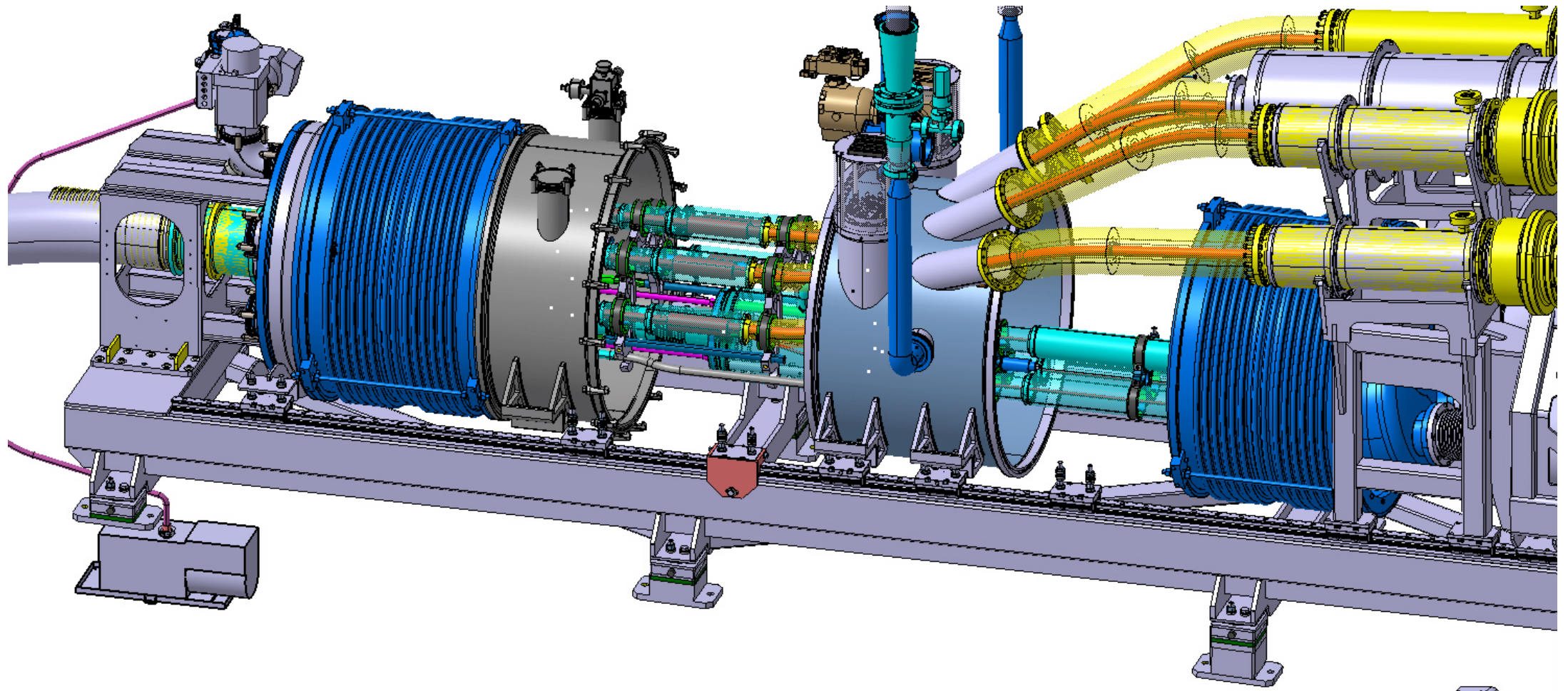
Splice first module



Splice seconde module



Close the splice chamber



Close the vacuum chambers

