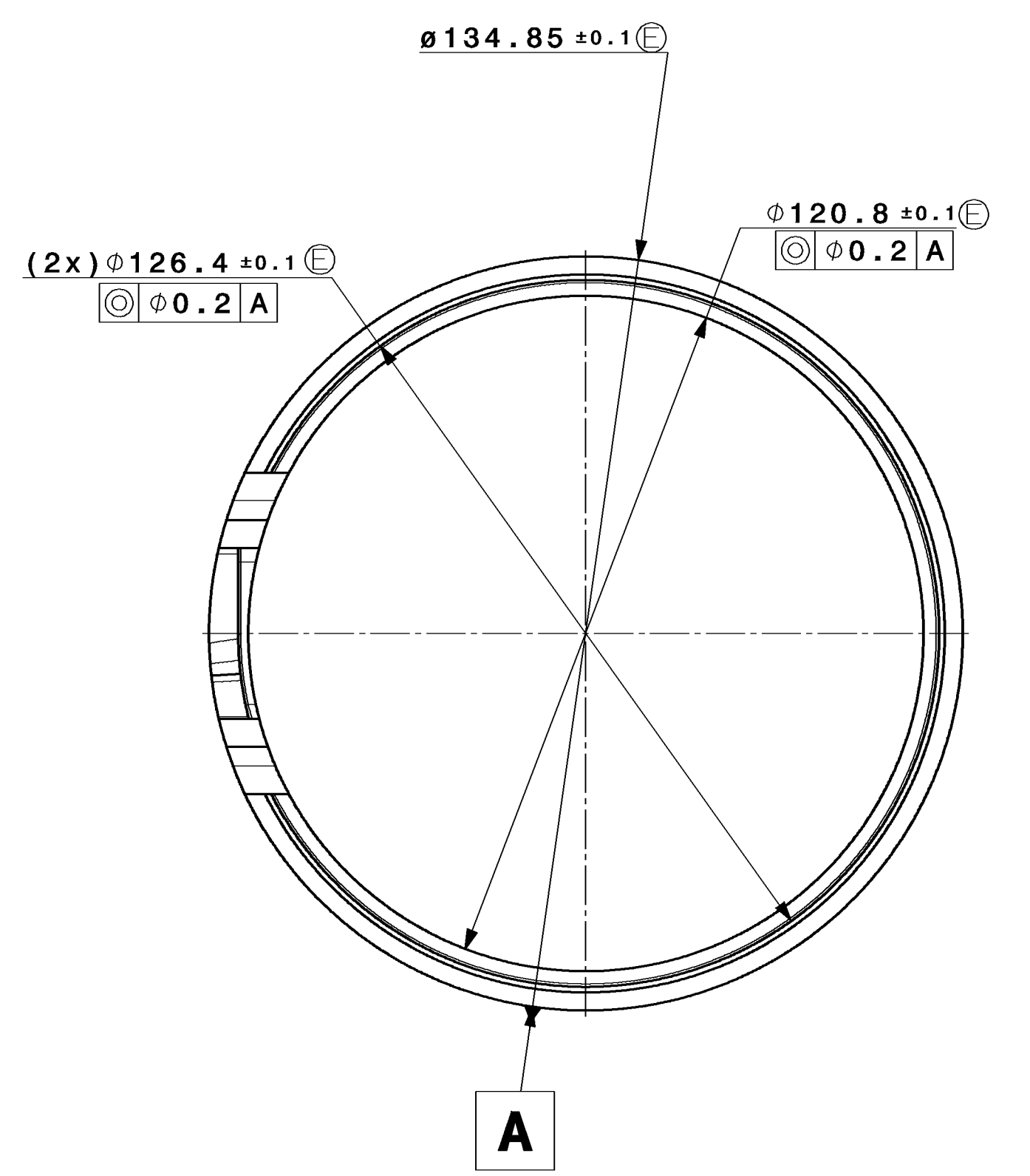
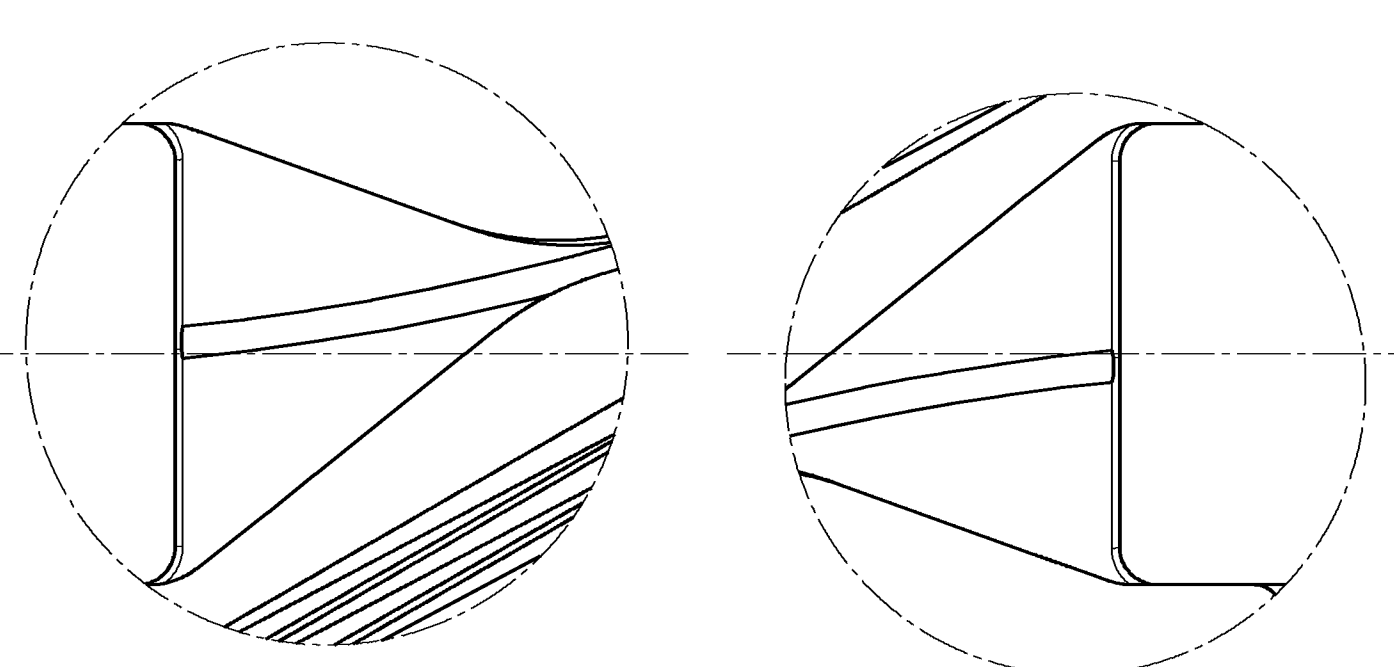


(2x) B-B

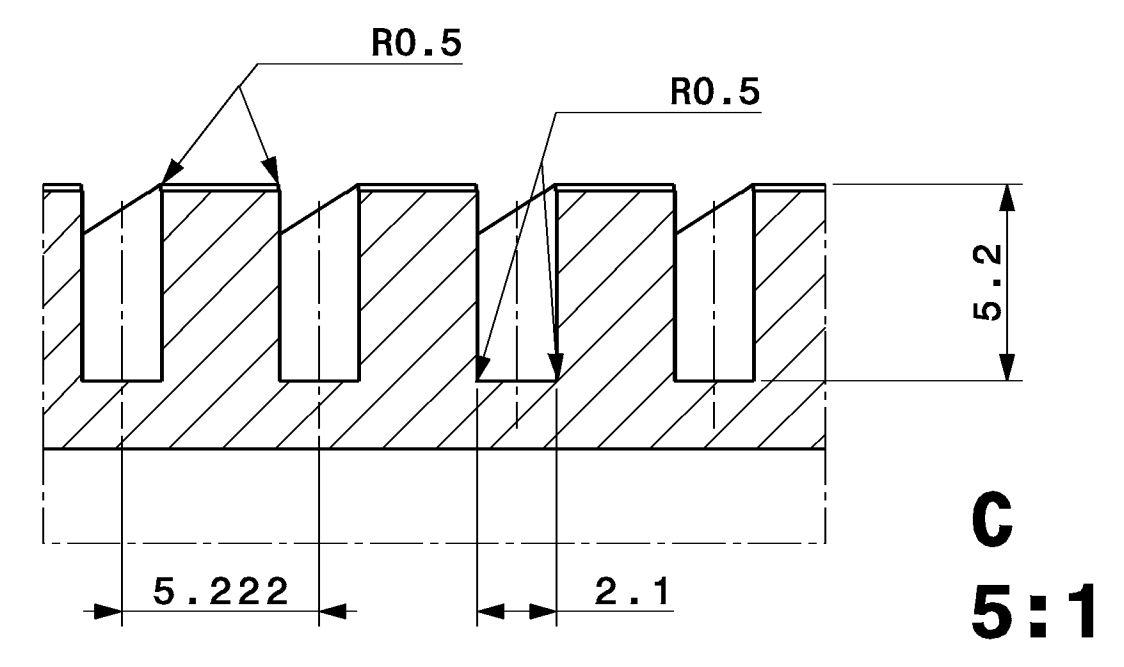


A

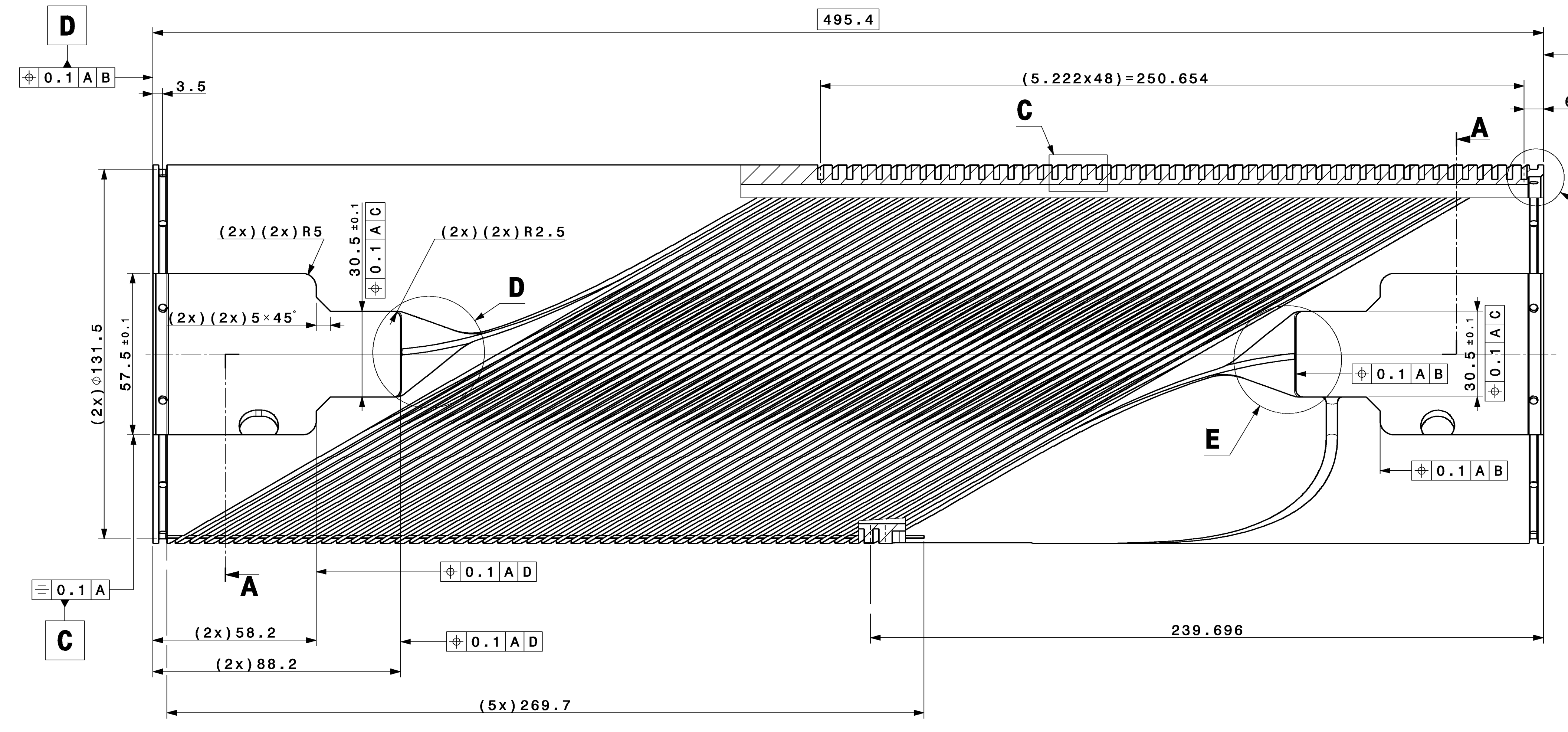
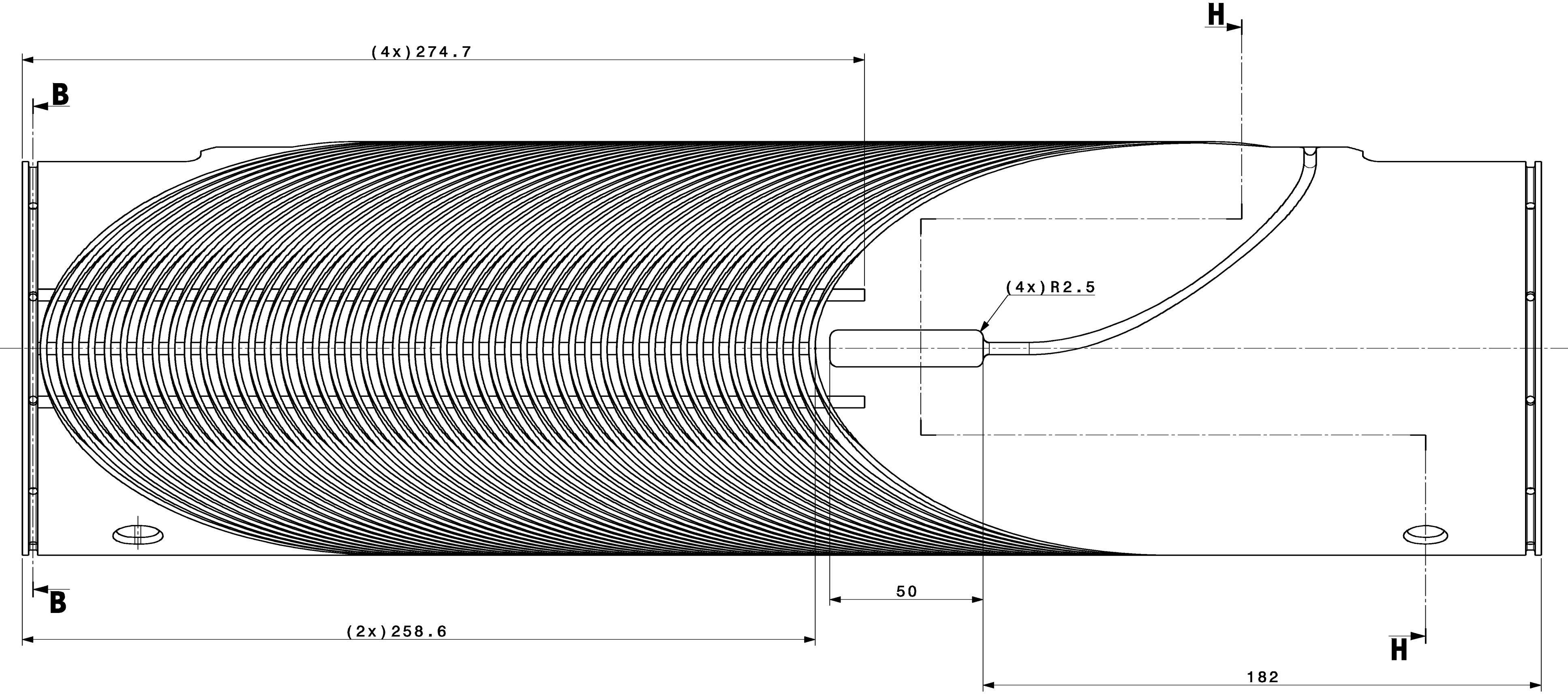


D
2:1

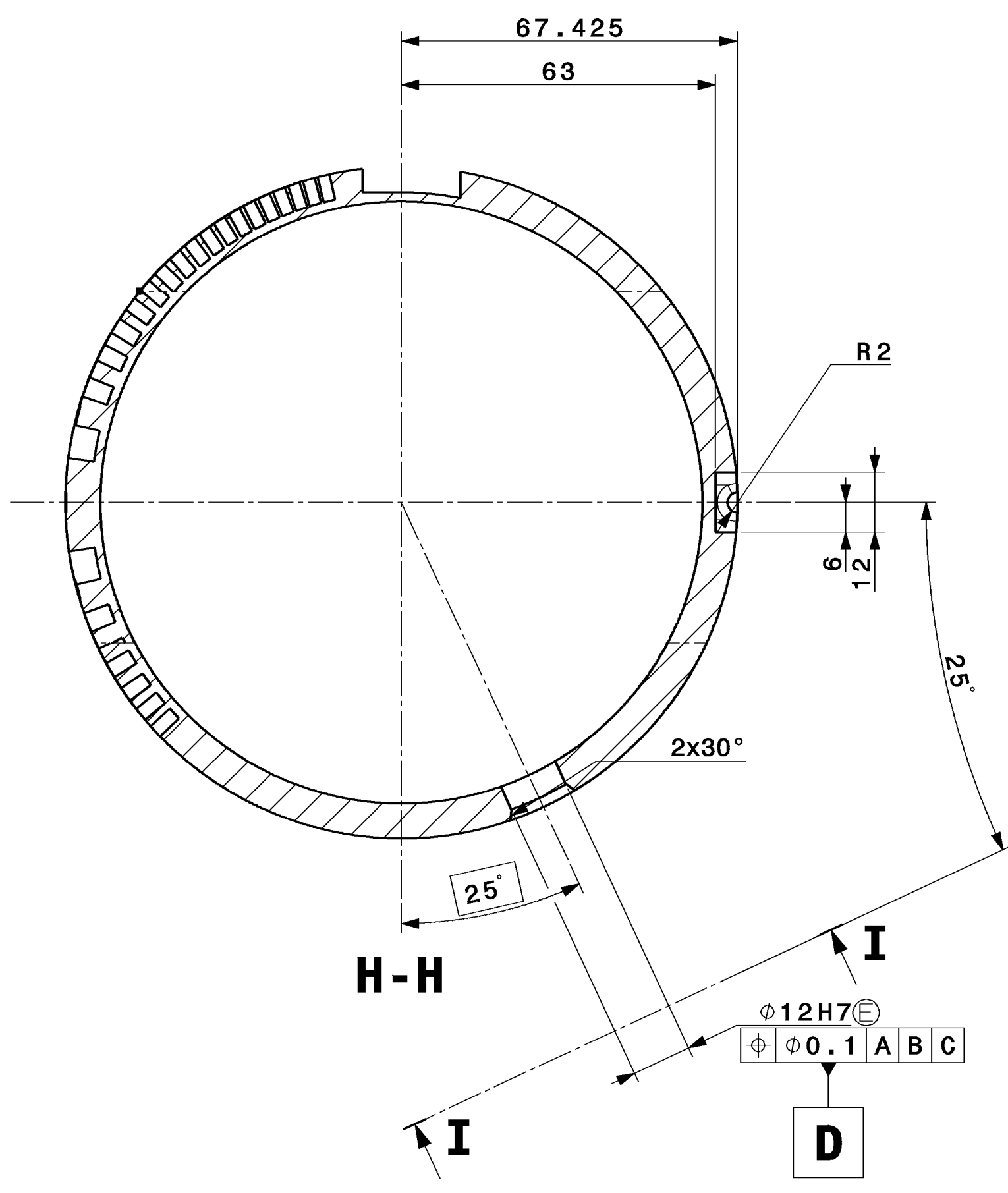
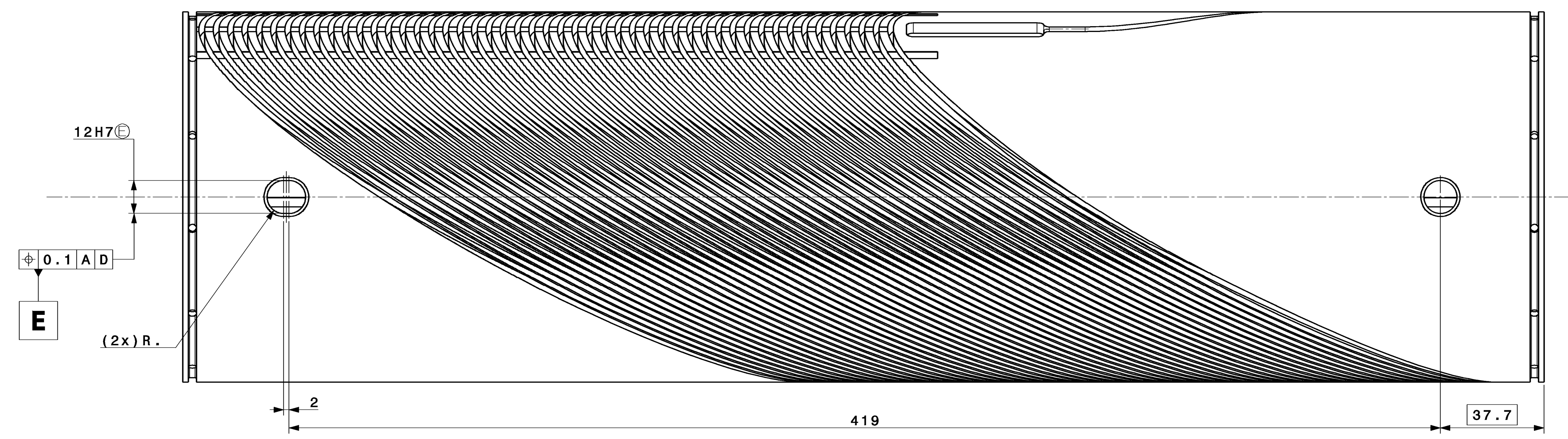
E
2:1



C
5:1

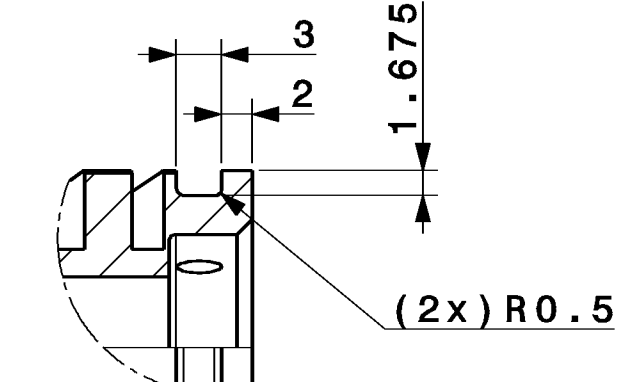


I-I
1:1

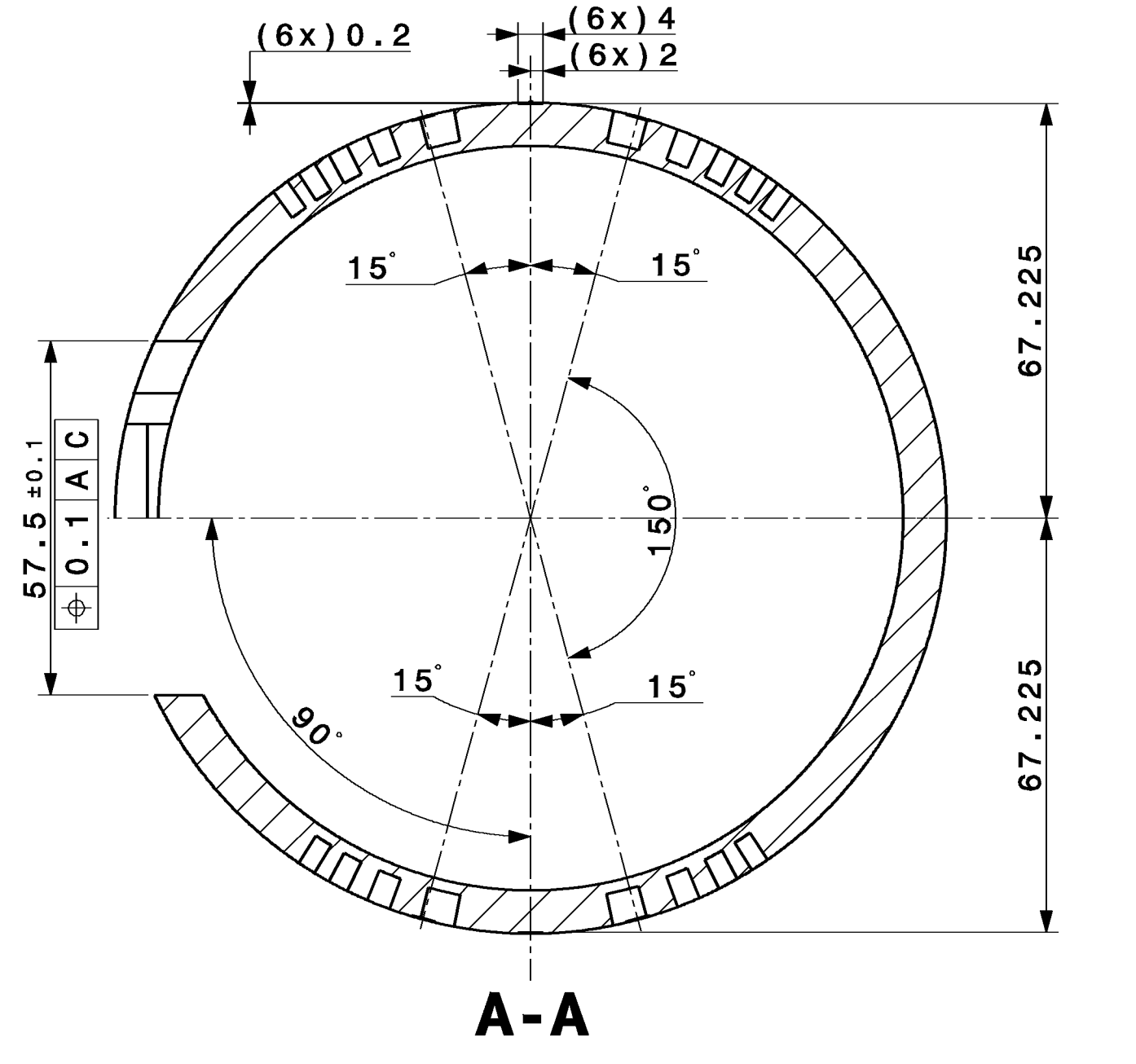


H-H

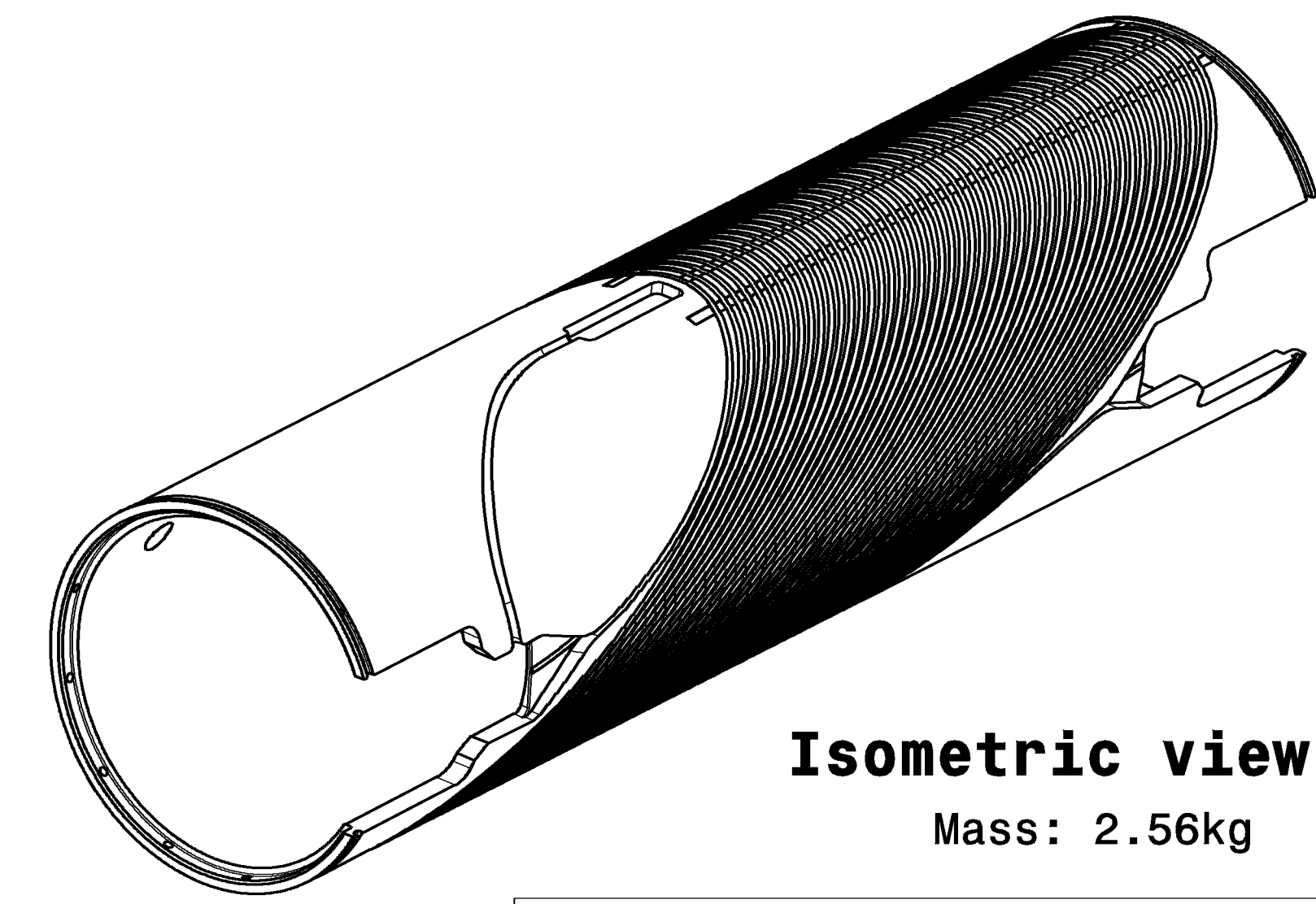
I-I



(2x) F
2:1



A-A



Isometric view
Mass: 2.56kg

UNLESS OTHERWISE MENTIONED, APPLICABLE ISO GPS STANDARDS ARE THOSE PRIOR TO 2010-08-01 REGARDLESS OF THE DRAWING DATE

For all unlisted surfaces apply a tolerance of 0.1 A B C
 Nota : For all information not present on the drawing see the STEP FILE PART.
 Pour toutes informations non présentes sur ce plan regarder le STEP FILE PART.

1	1	Alu EN AW-6063 (T4)			
QTY	DESCRIPTION	POS	MAT.	OBSERVATIONS	REF. CERN
ENS/ASS				S.ENS/S.ASS	
ISO 2768-mK			√ Ra 1.6	ISO 13715-2:2022	
Unit Converter in Enlarged View (mm) Scale CCT MAGNET 500MM PROTO (PRE-ASS-V3) OUTER COIL 495-4mm - 2.1x5.2 ENS - ALUMINA CCT PROTO (500MM V3) BOBINE EXTERNE 495-4mm - 2.1x5.2					
1:1 CAD Document Number: ST0885165_02 REPLACES:					
NOT VALID FOR EXECUTION NOT VALID FOR EXECUTION					
					LHCMBYY0107

DESIGNED BY: [Name] / CHECKED BY: [Name] / APPROVED BY: [Name]
 DRAWING PROPERTY: TOLERANCES ACCORDING TO ISO STANDARDS
 ALL DIMENSIONS IN MILLIMETERS UNLESS OTHERWISE SPECIFIED
 ALL DIMENSIONS ARE TO BE TAKEN FROM THE UNLESS OTHERWISE SPECIFIED
 ALL DIMENSIONS ARE TO BE TAKEN FROM THE UNLESS OTHERWISE SPECIFIED