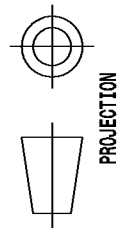
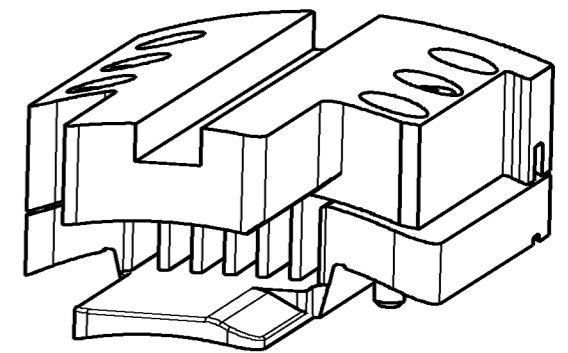
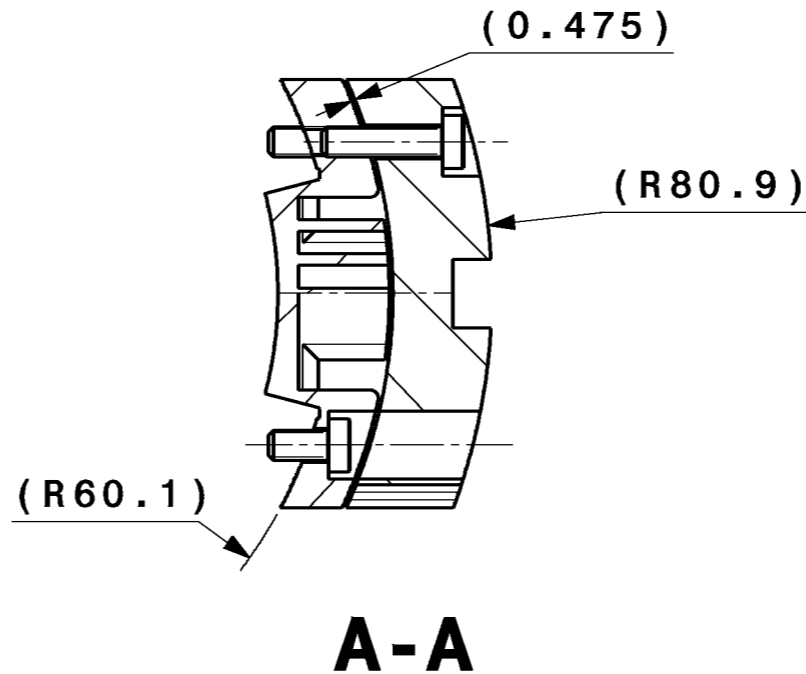
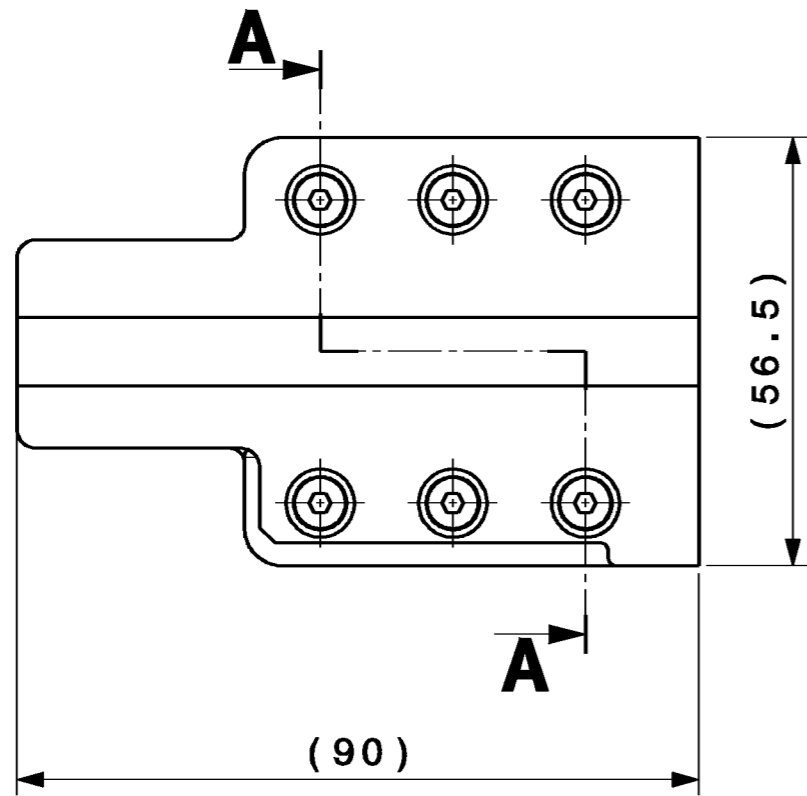


DESSIN, RUGOSITE, TOLERANCES
SELON NORMES ISO
DRAWING, RUGOSITY, TOLERANCES
ACCORDING TO ISO STANDARDS

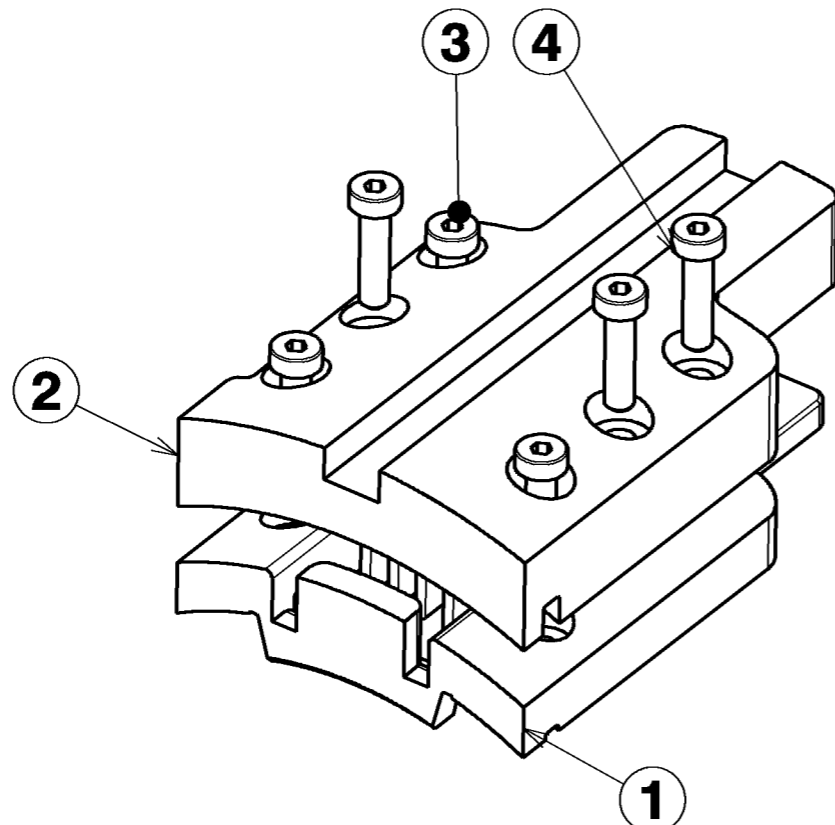


ORGANISATION EUROPEENNE POUR
LA RECHERCHE NUCLEAIRE RESEARCH
EUROPEAN ORGANIZATION FOR NUCLEAR RESEARCH
GENEVE

Ce dessin ne peut être utilisé à des fins commerciales sans autorisation écrite
This drawing may not be used for commercial purposes without written authorisation



Isometric view
Mass:



QUA	DESCRIPTION	POS	MAT.	OBSERVATIONS	REF. CERN
3	HEX SKT LOW HD SCREW M4x16	4	St. Steel A2	BOSSARD : BN 2844	
	VIS CHC TETE BASSE M4x16			ST0529393	
3	HEX SKT LOW HD SCREW M4x8	3	St. Steel A2	BOSSARD : BN 2844	
	VIS CHC TETE BASSE M4x8			ST0529388	
1	CONNEXION BOX COVER v3	2	Epoxy GF	LHCMCBBY0112	
	COUVERCLE BOITE CONNECTION v3		EP GC 308 (G-11)	ST0881283	
1	CONNECTION BOX INNER PLATE v3	1	Alu EN AW-6082	LHCMCBBY0111	
	BOITE CONNECTION INTERNE v3		(T4)	ST0881281	

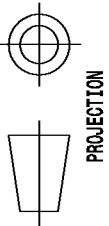
ENS/ASS		S. ENS/S. ASS			
Orbit Corrector in Enlarged Aperture (90mm) Quadrupole					
CCT MAGNET 500MM PROTOTYPE ASS.V3		SCALE	DES/DRA.	M. CANALE	2017-09-15
CONNECTION BOX V3 ASS.			CONTROLLED	L. GENTINI	2017-10-04
ENS. AIMANT CCT PROTO 500MM V3			RELEASED	G. KIRBY	2017-10-06
ENS. BOITE CONNECTION V3			APPROVED	-	-
		1:1	CAD Document Number		ST0881282_02
			REPLACES		

CERN	RELEASED BY	FOR	GAC	SIZE	IND.
	PROJECT ENGINEER	EXECUTION			

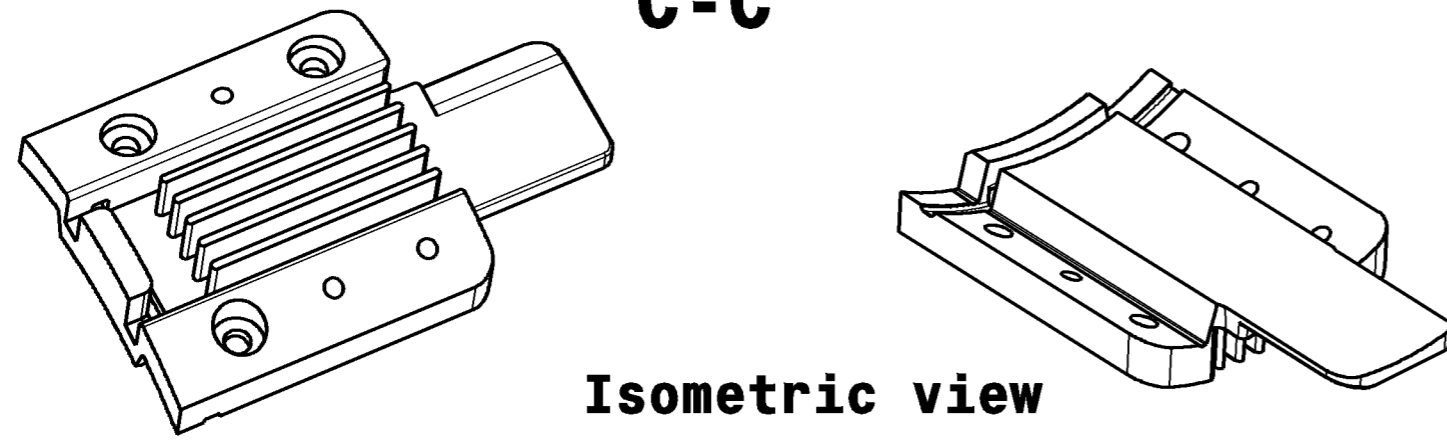
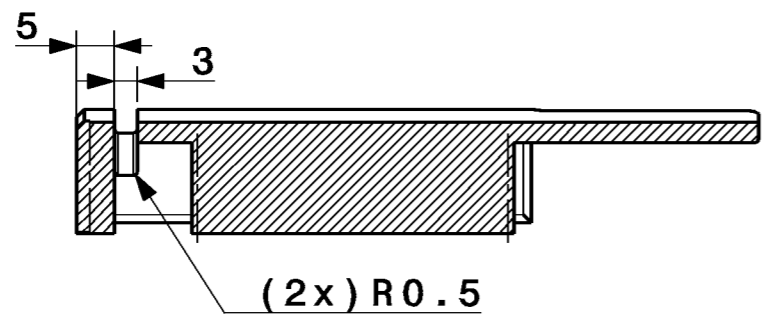
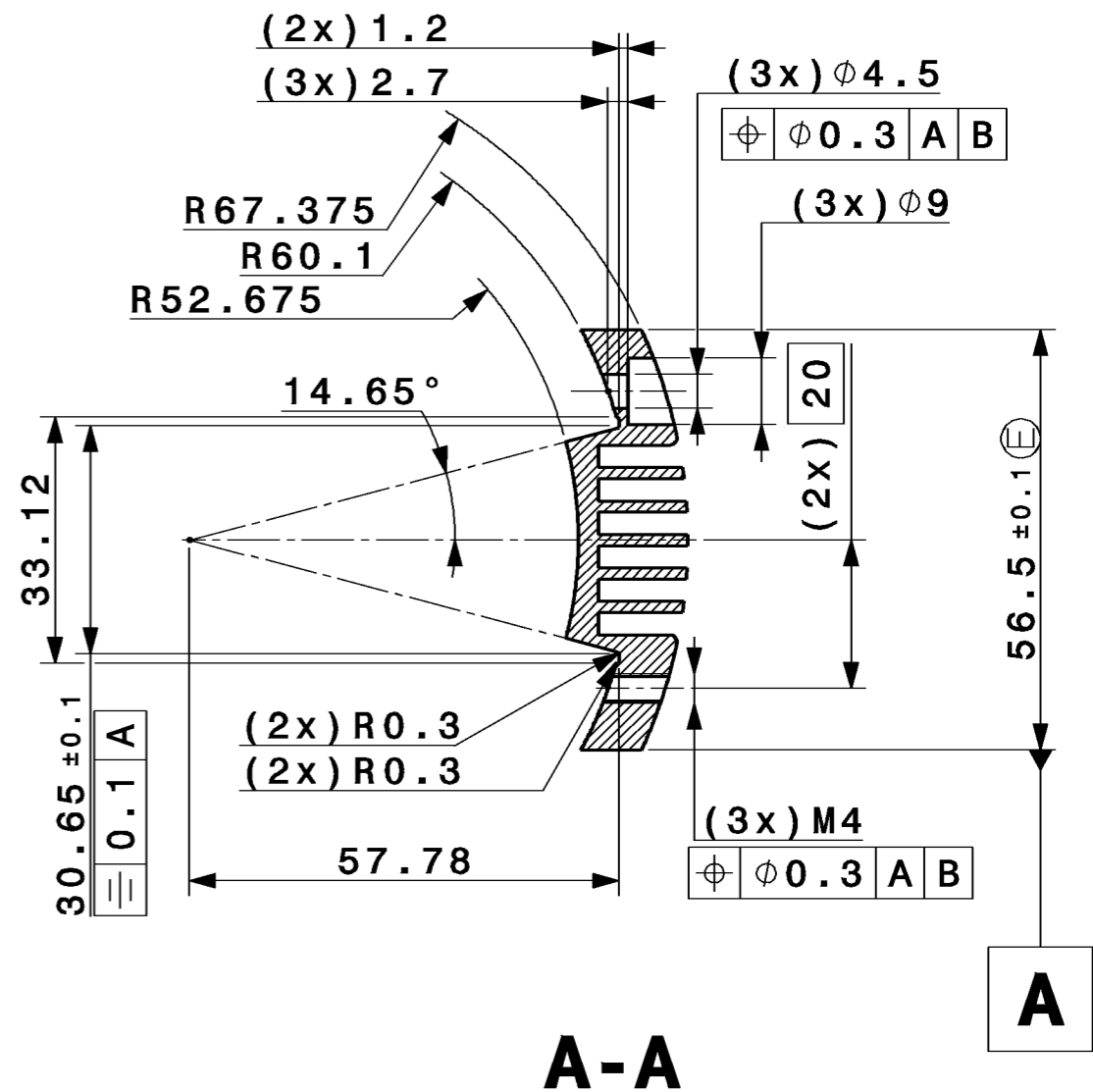
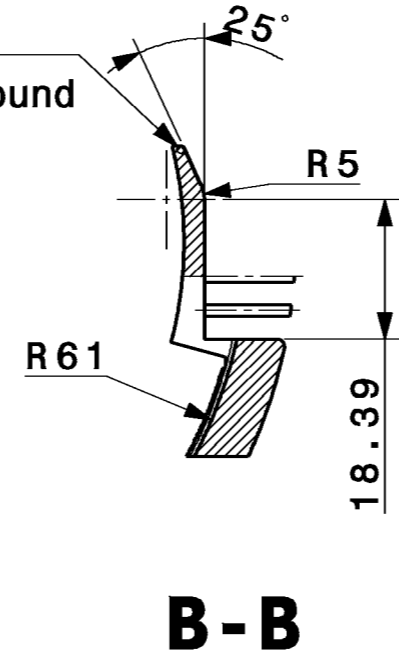
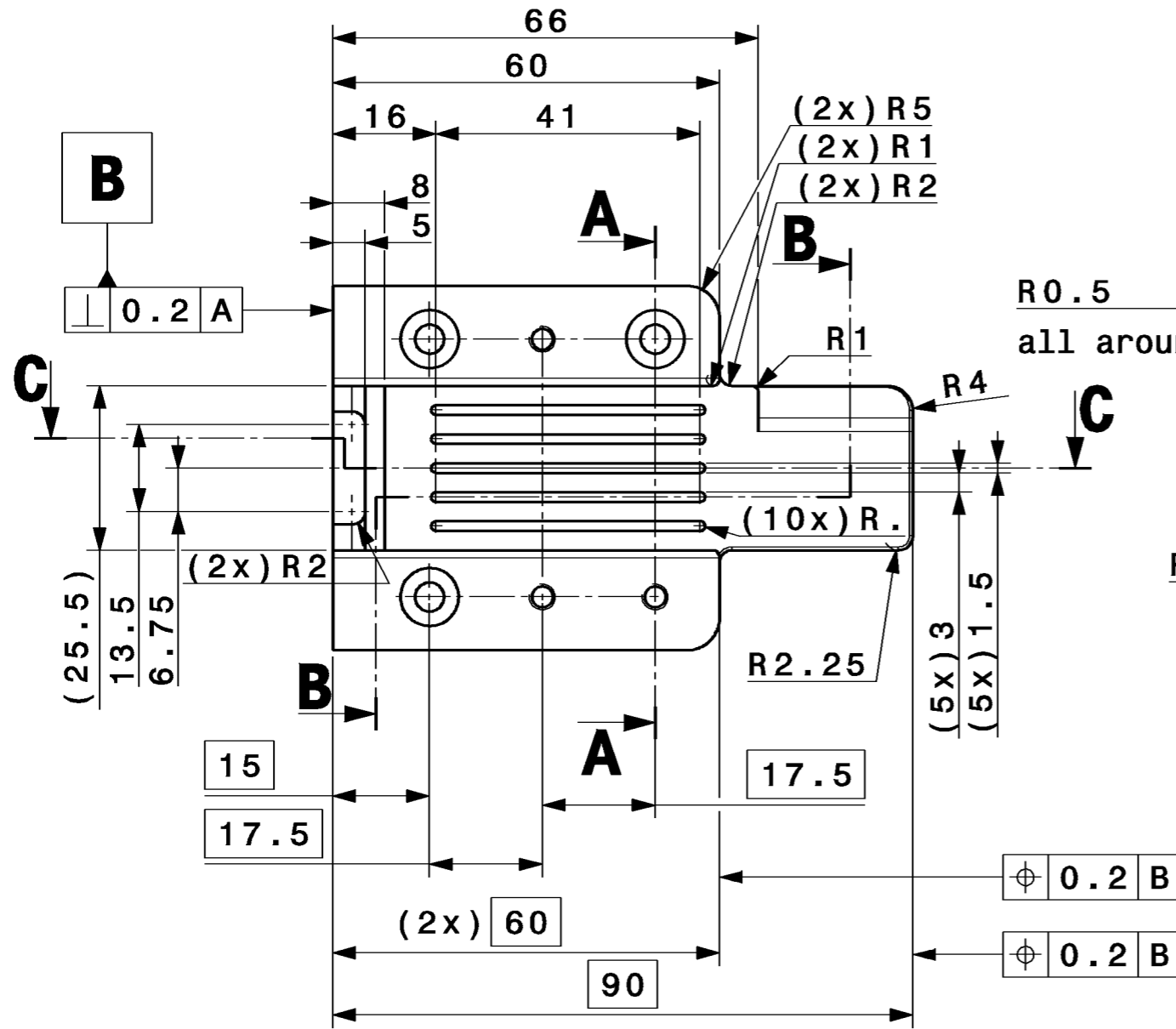
IND.	DATE	NOM/NAME	ZONE	MODIFICATION
A	2017-10-04	M. CANALE		INNER BOX PLATE MODIFICATION

7 6 5 4 3 2 1

DESSIN, RUGOSITE, TOLERANCES
SELON NORMES ISO
DRAWING, RUGOSITY, TOLERANCES
ACCORDING TO ISO STANDARDS



ORGANISATION EUROPEENNE POUR
LA RECHERCHE NUCLEAIRE RESEARCH
EUROPEAN ORGANIZATION FOR NUCLEAR RESEARCH
GENEVE
Ce dessin ne peut être utilisé à des fins commerciales sans autorisation écrite
This drawing may not be used for commercial purposes without written authorisation



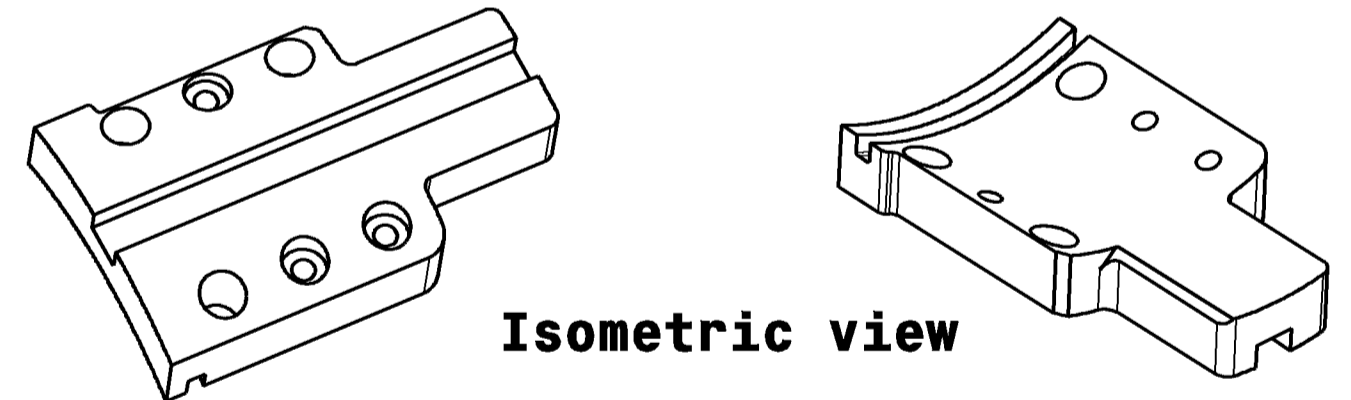
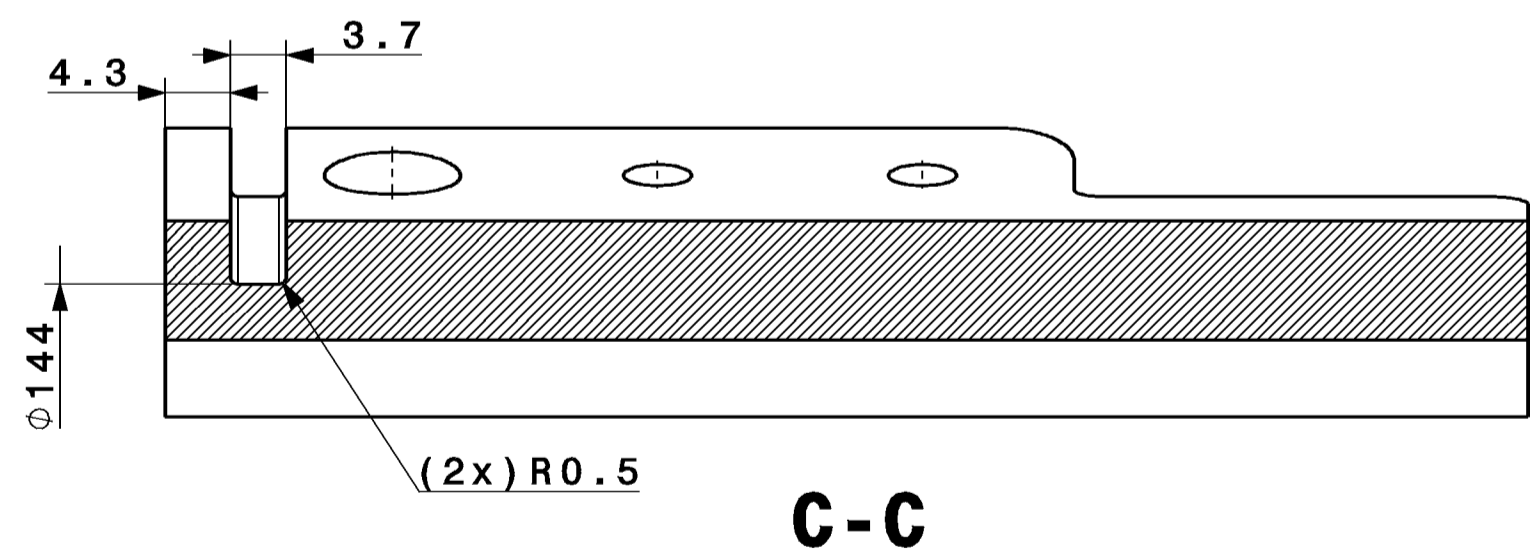
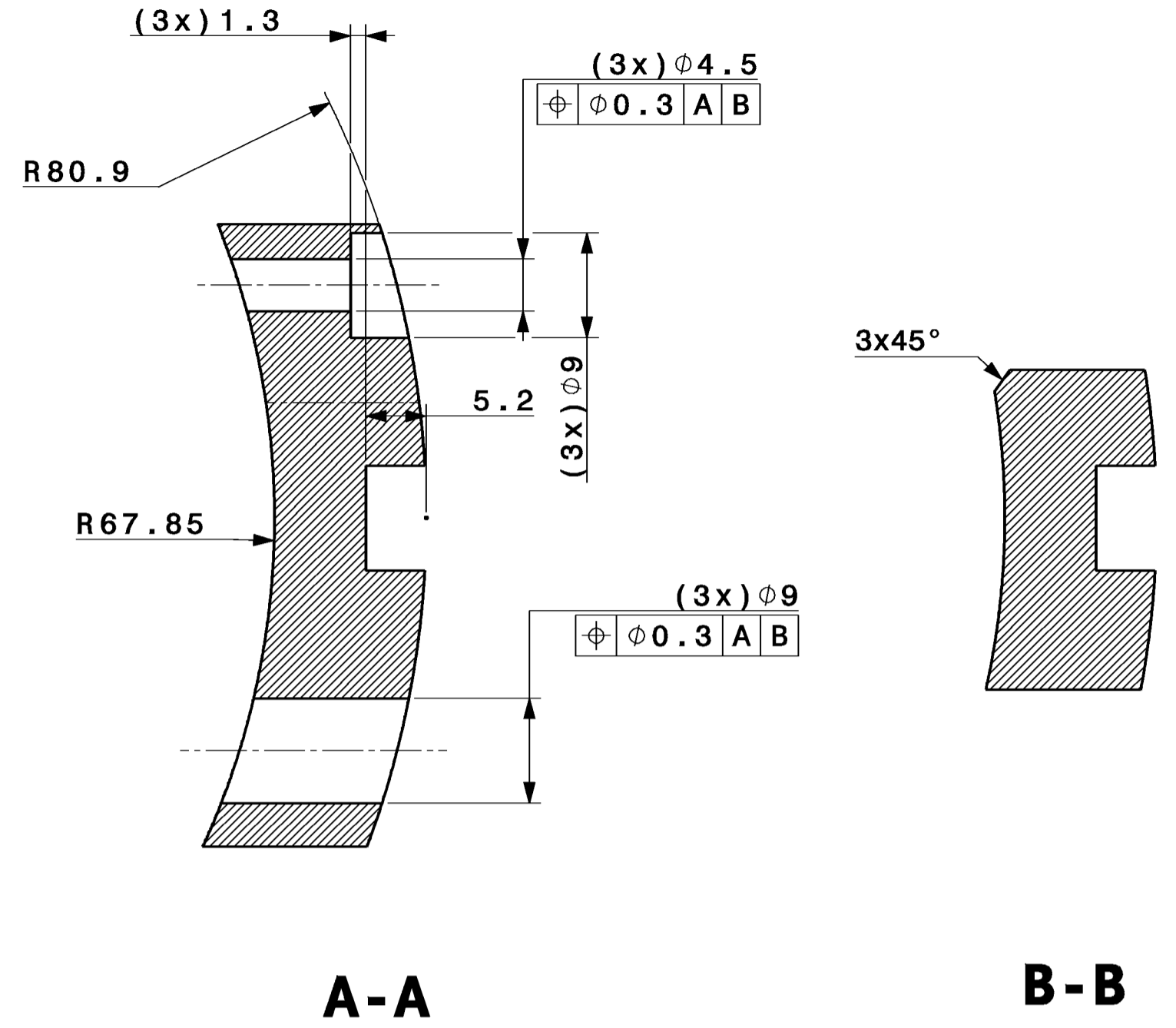
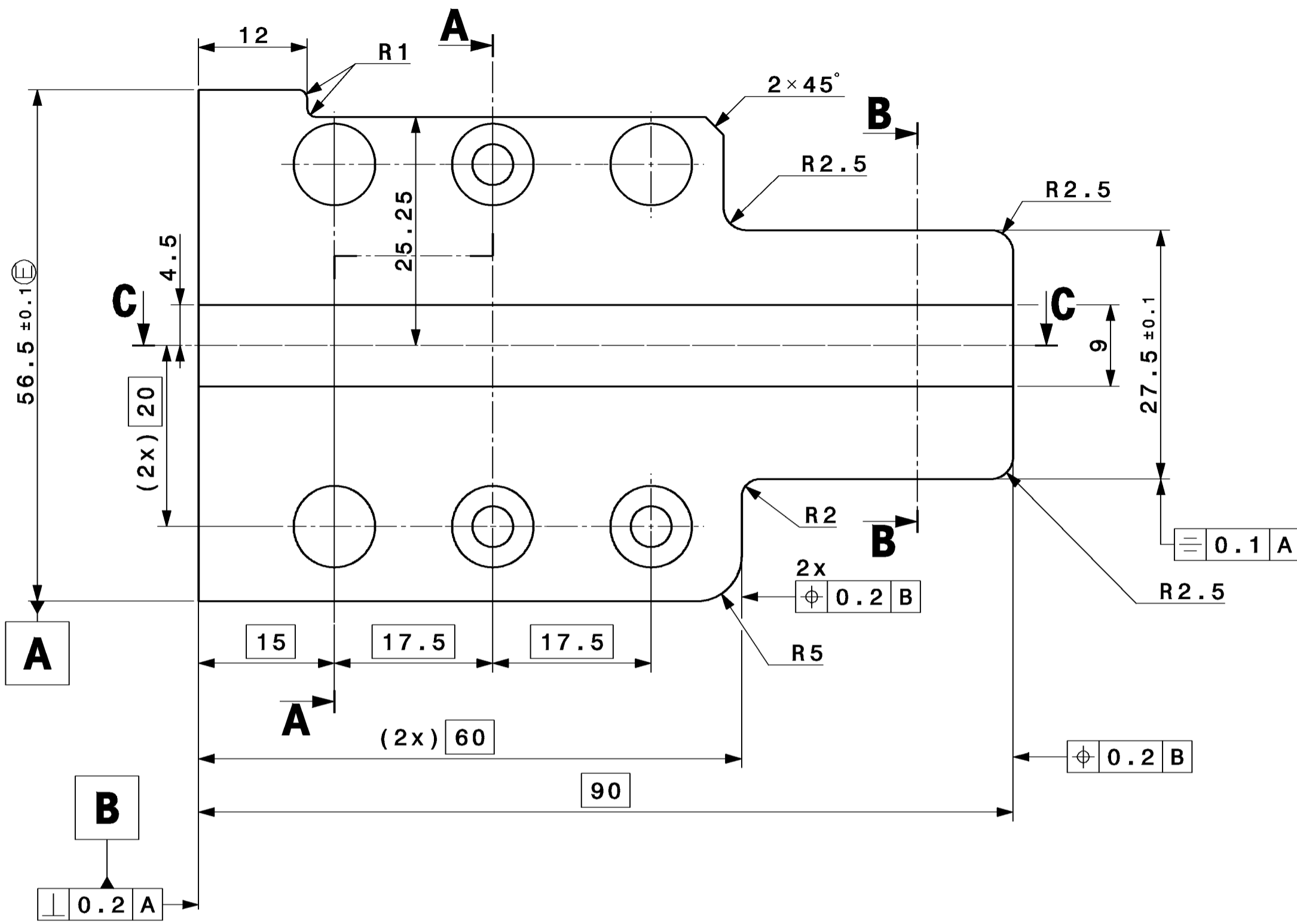
Mass: 70g

STANDARD HARD GRAY ANODIZING 40 μ m

UNLESS OTHERWISE MENTIONED, APPLICABLE ISO GPS STANDARDS
ARE THOSE PRIOR TO 2010-08-01 REGARDLESS OF THE DRAWING DATE

1		1	Alu EN AW-6082 (T4)		
QUA	DESCRIPTION	POS	MAT.	OBSERVATIONS	REF. CERN
ENS/ASS			S. ENS/S. ASS		
ISO 2768-mK		$\sqrt{Ra\ 1.6}$		ISO 13715 $\begin{matrix} -0.2 \\ +0.2 \end{matrix}$	
Orbit Corrector in Enlarged Aperture (90mm) Quadrupole				DES/DRA.	M. CANALE 2017-09-15
CONNECTION BOX V3 ASS. CONNECTION BOX INNER PLATE v3 ENS. BOITE CONNEXION V3 BOITE CONNECTION INTERNE v3				CONTROLLED	L. GENTINI 2017-10-04
				RELEASED	G. KIRBY 2017-10-06
				APPROVED	-
SCALE				CAD Document Number ST0881281_02	
1:1				REPLACES	
RELEASED BY PROJECT ENGINEER		FOR EXECUTION		GAC -	LHCMC BY Y0111
IND.	DATE	NOM/NAME	ZONE	MODIFICATION	SIZE IND.
A	2017-10-04	M. CANALE		MODIFICATION FOR MACHINING	3 A

7 6 5 4 3 2 1



Isometric view

Mass: 0.085kg

UNLESS OTHERWISE MENTIONED, APPLICABLE ISO GPS STANDARDS ARE THOSE PRIOR TO 2010-08-01 REGARDLESS OF THE DRAWING DATE

1		1	Epoxy GF		
QUA	DESCRIPTION	POS	MAT.	OBSERVATIONS	REF. CERN
ENS/ASS			S.ENS/S.ASS		
ISO 2768-mK		√ Ra 1.6		ISO 13715 $\begin{matrix} -0.2 \\ +0.2 \end{matrix}$	
Orbit Corrector in Enlarged Aperture (90mm) Quadrupole				DES/DRA.	M. CANALE 2017-09-15
CONNECTION BOX V3 ASS. CONNEXION BOX COVER v3 ENS. BOITE CONNEXION V3 COUVERCLE BOITE CONNEXION V3				CONTROLLED	L. GENTINI 2017-09-19
				RELEASED	G. KIRBY 2017-09-19
SCALE				APPROVED	-
				CAD Document Number	
REPLACES					
RELEASED BY		FOR		GAC	
PROJECT ENGINEER		EXECUTION		-	
LHCMC BY Y0112				SIZE	IND.
				2	2

DESSTIN RUGOSITE TOLERANCES
 SELON NORMES ISO
 DRAWING RUGOSITY TOLERANCES
 ACCORDING TO ISO STANDARDS

PROJECTION

ORGANISATION EUROPEENNE POUR
 LA RECHERCHE NUCLEAIRE
 EUROPEAN ORGANIZATION FOR
 NUCLEAR RESEARCH
 CERN
 Ce dessin ne peut être utilisé à des fins commerciales sans autorisation écrite.
 This drawing may not be used for commercial purposes without authorisation.